

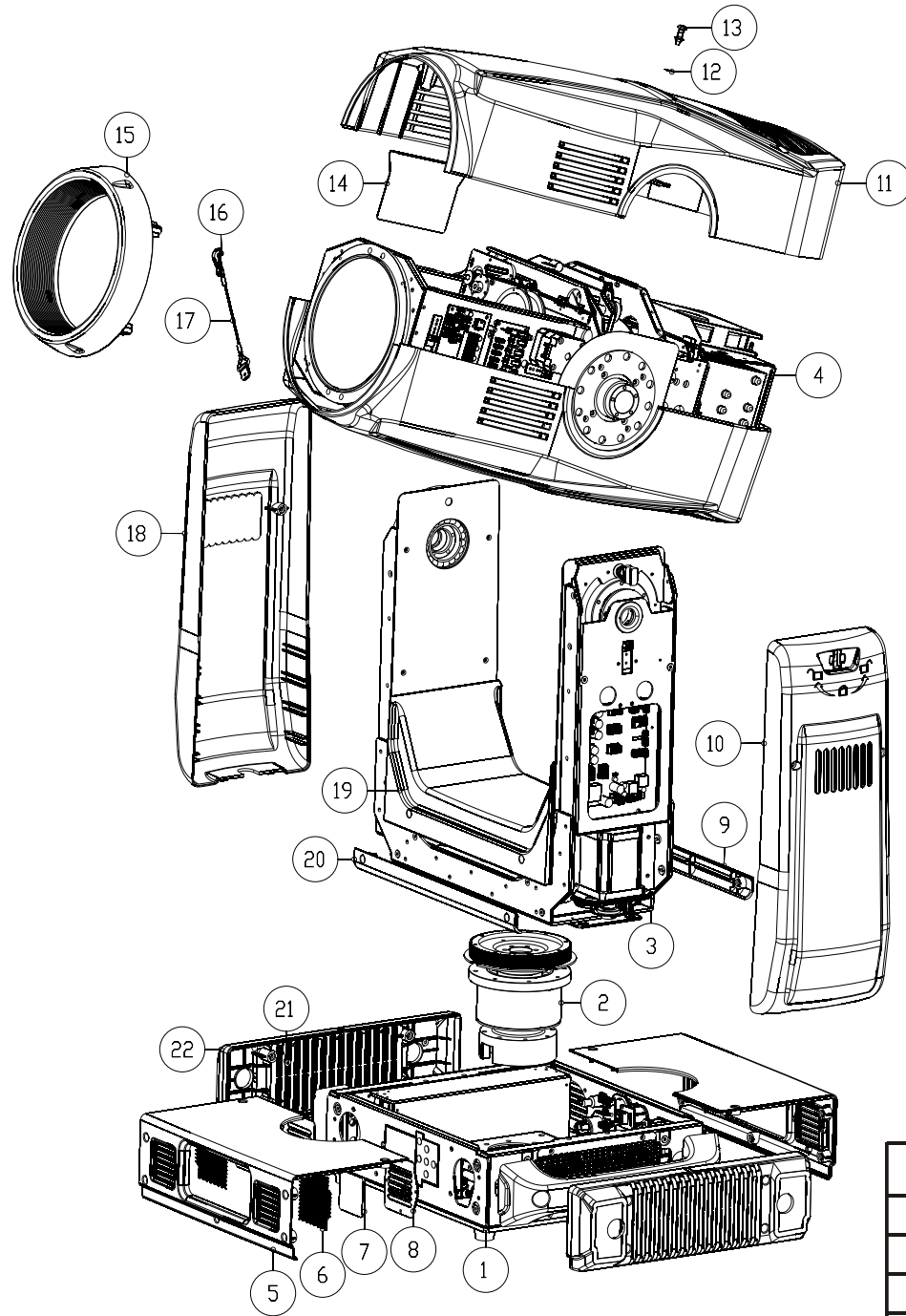
Service manual

VLZ WASH

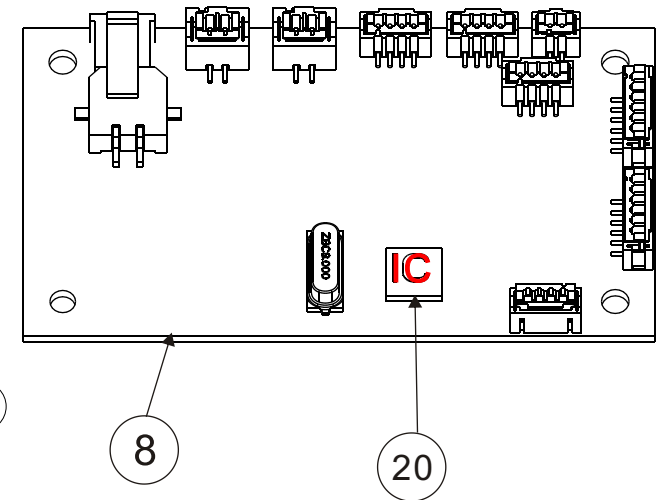
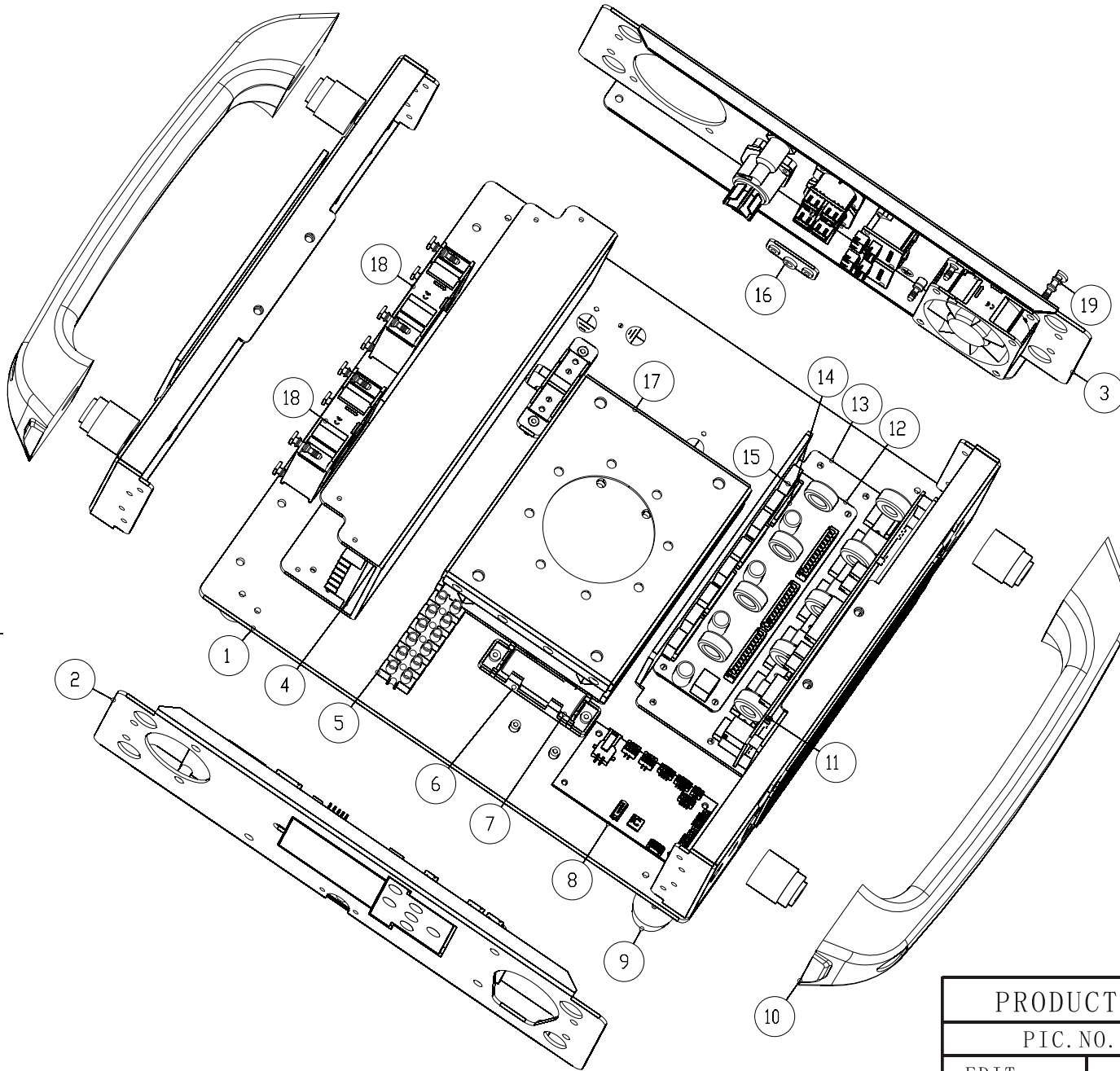
- ✘ Exploded Diagrams
- ✘ Circuit Diagrams
- ✘ Wiring Diagrams
- ✘ Parts List



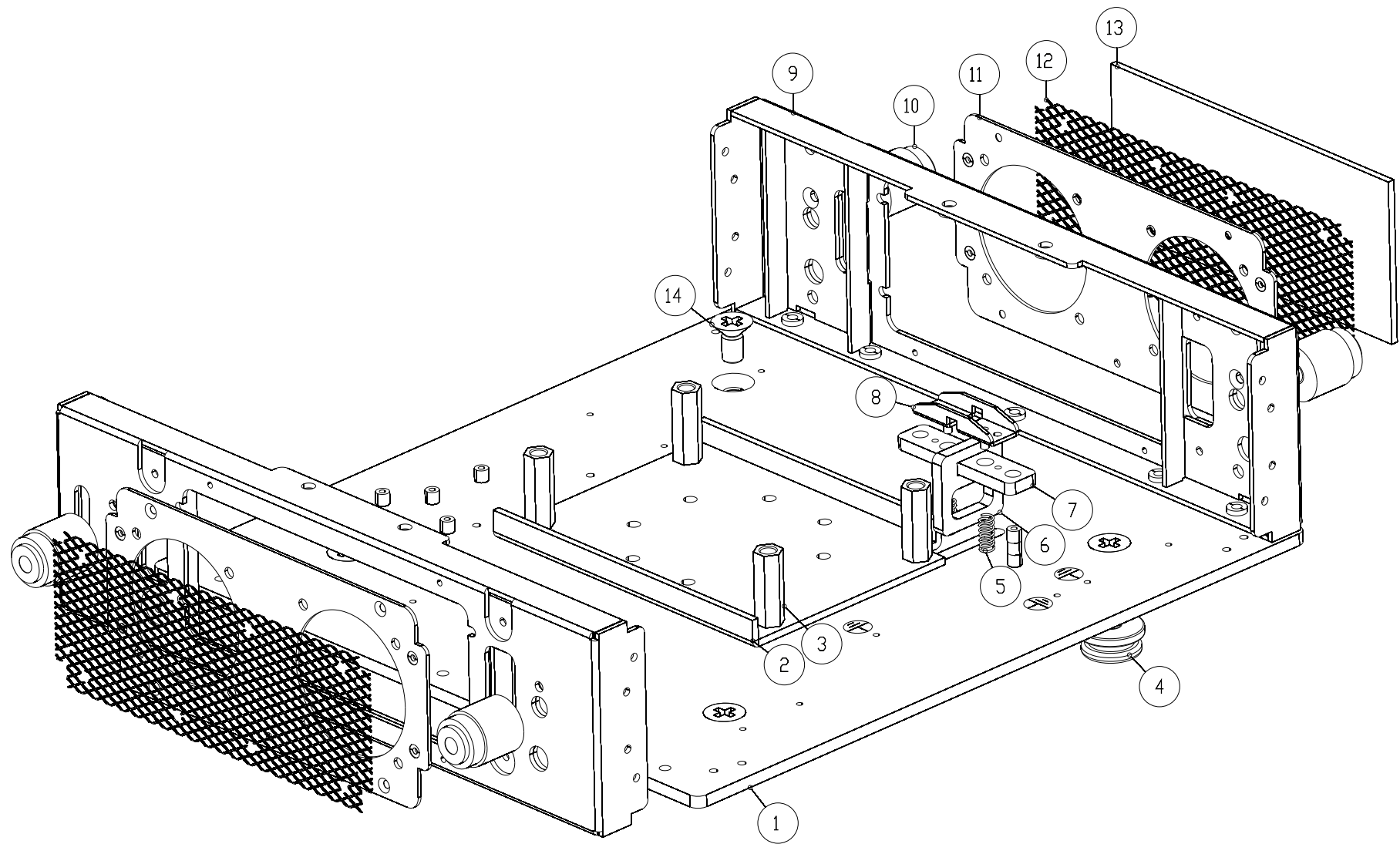
PRODUCT		VLZ WASH	
PIC. NO.		Front Page	Series No. N/A
EDIT		FILE NO.	HY-EXP-1746A
CHECK		ORDER NO.	N/A
APPROVE		VERSION	V103_003



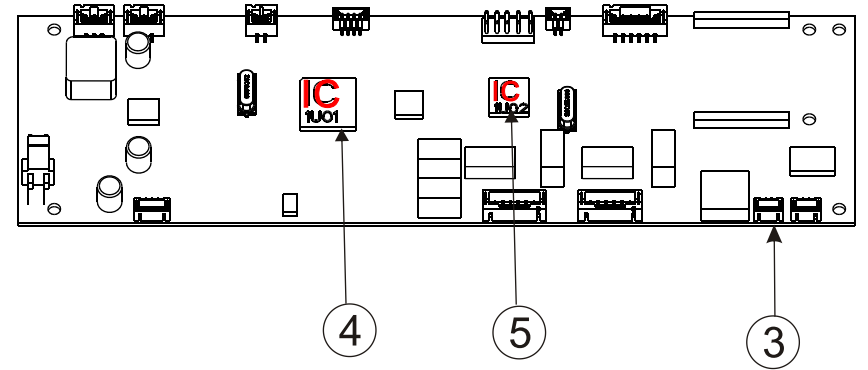
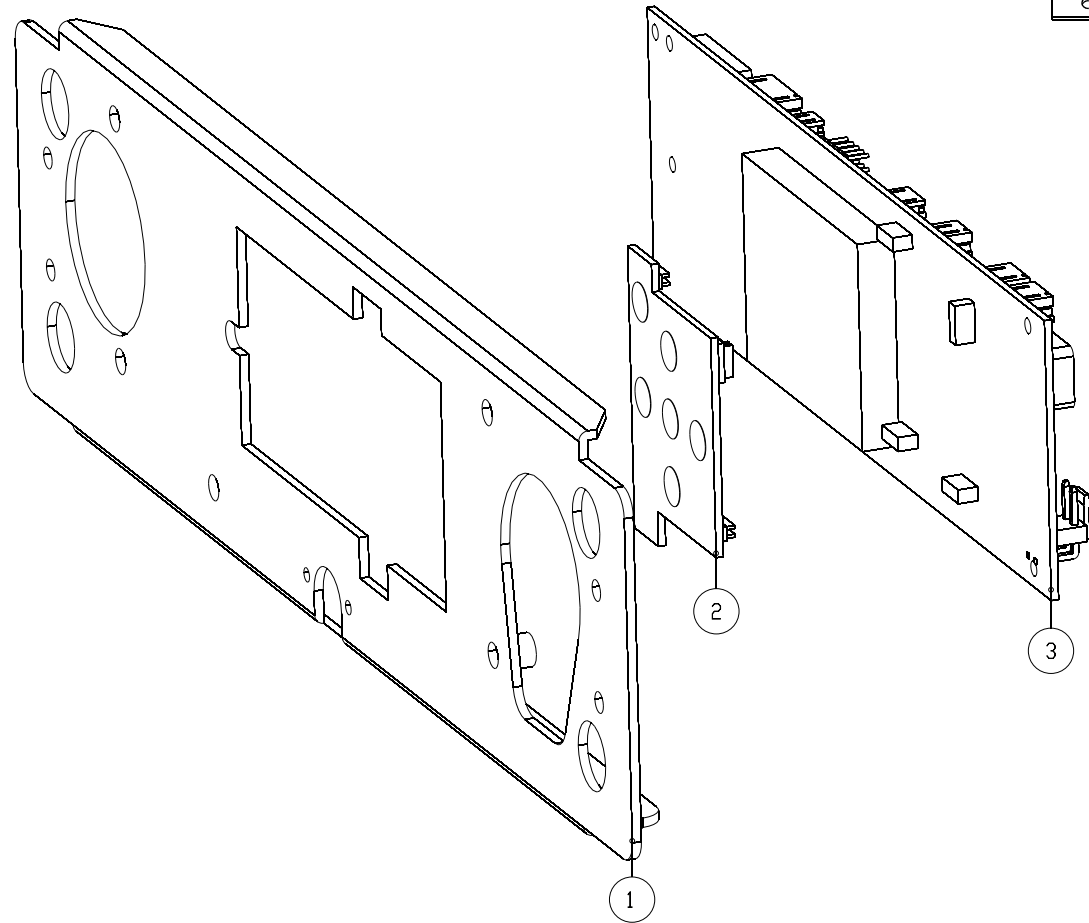
PRODUCT		VLZ WASH			
PIC. NO.		36-0005-00-00-00			
EDIT		FILE NO.	HY-EXP-1746A	PAGE NO.	1/53
CHECK		VERSION	V103_003	DATE	2018.08.08
APPROVE		ECN NO.		DATE	



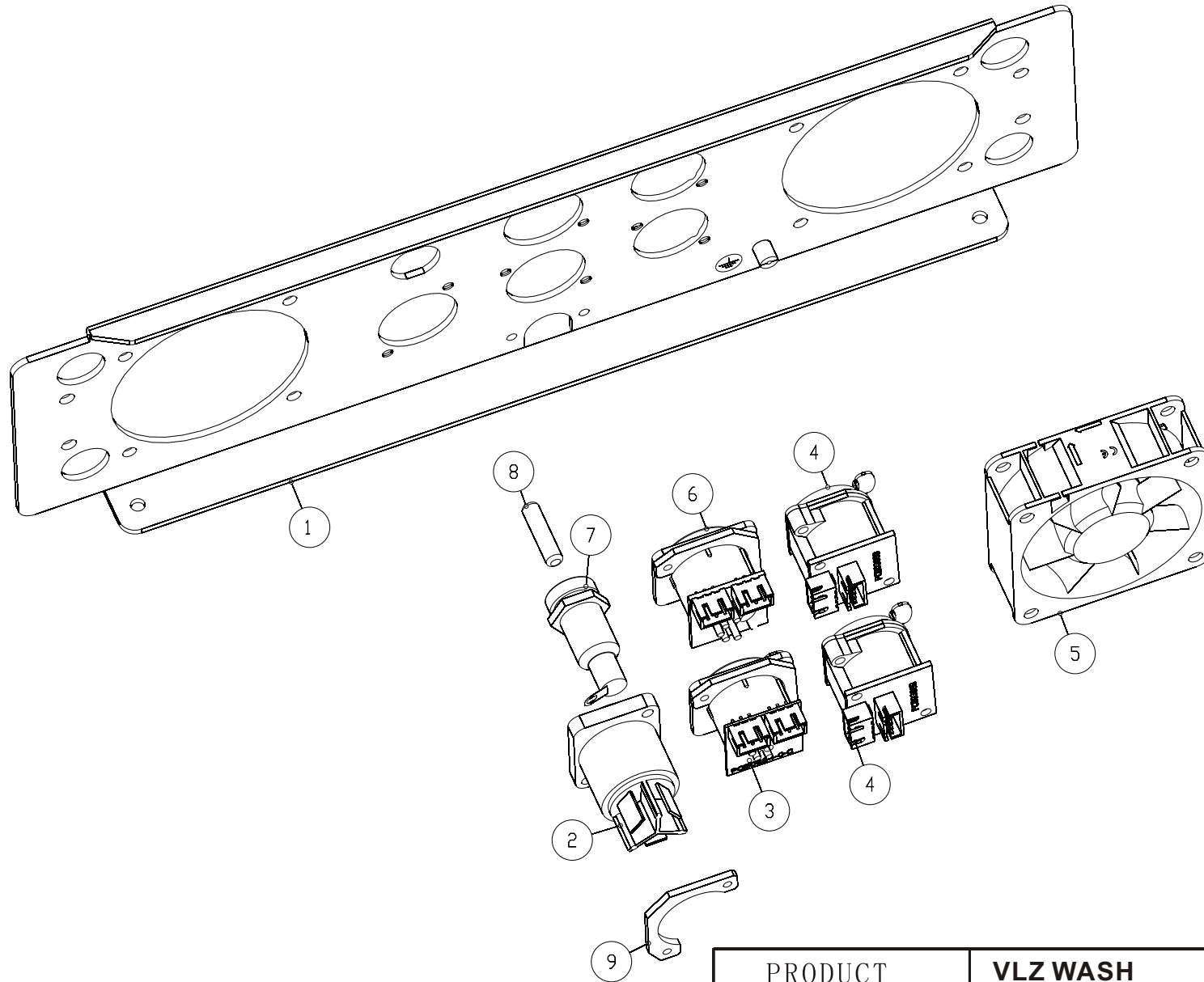
PRODUCT		VLZ WASH			
PIC. NO.		36-0003-01-00-00			
EDIT		FILE NO.	HY-EXP-1746A	PAGE NO.	2/53
CHECK		VERSION	V103_003	DATE	2018.08.08
APPROVE		ECN NO.		DATE	



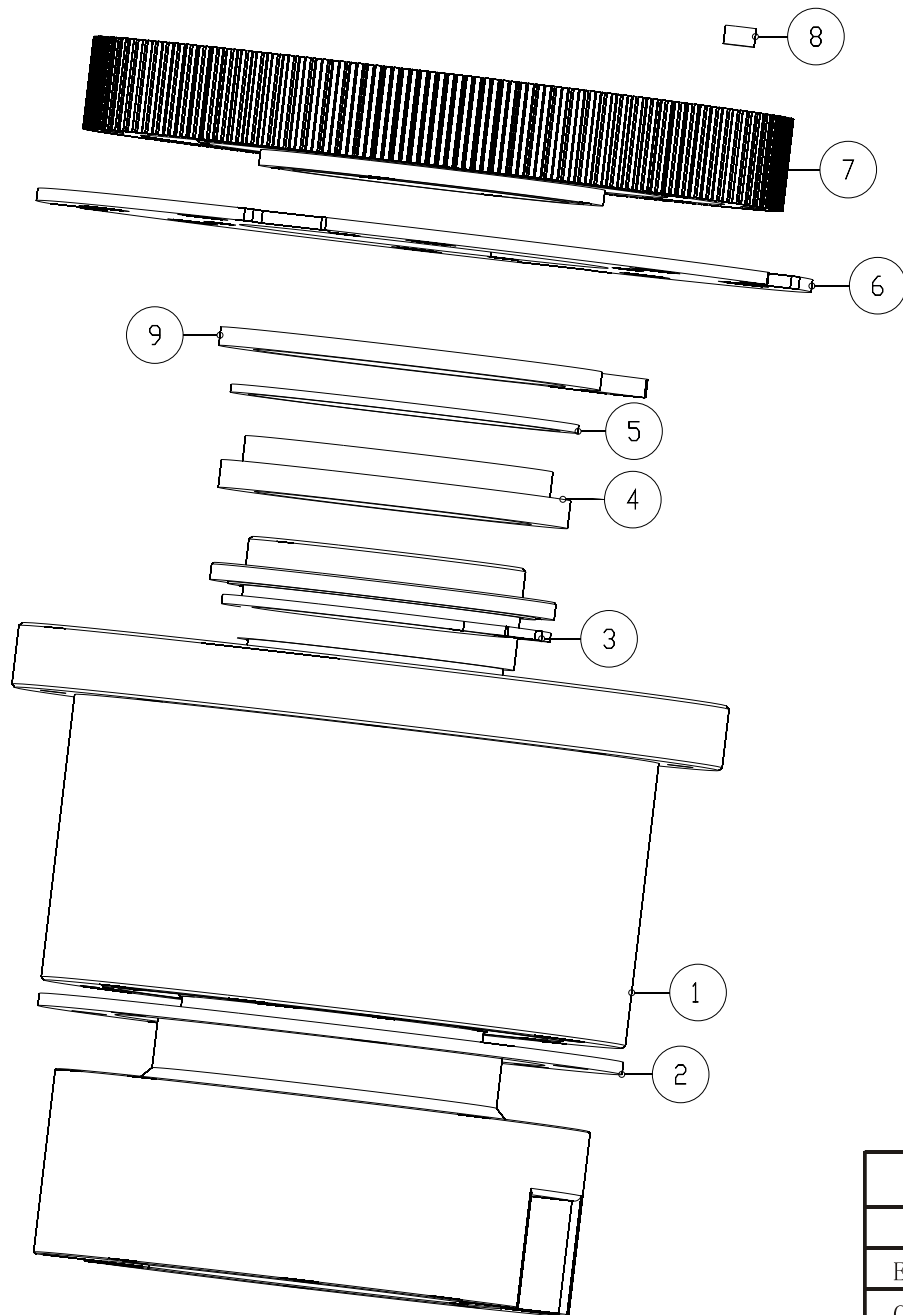
PRODUCT		VLZ WASH			
PIC. NO.		36-0003-01-01-00			
EDIT		FILE NO.	HY-EXP-1746A	PAGE NO.	3/53
CHECK		VERSION	V103_003	DATE	2018.08.08
APPROVE		ECN NO.		DATE	



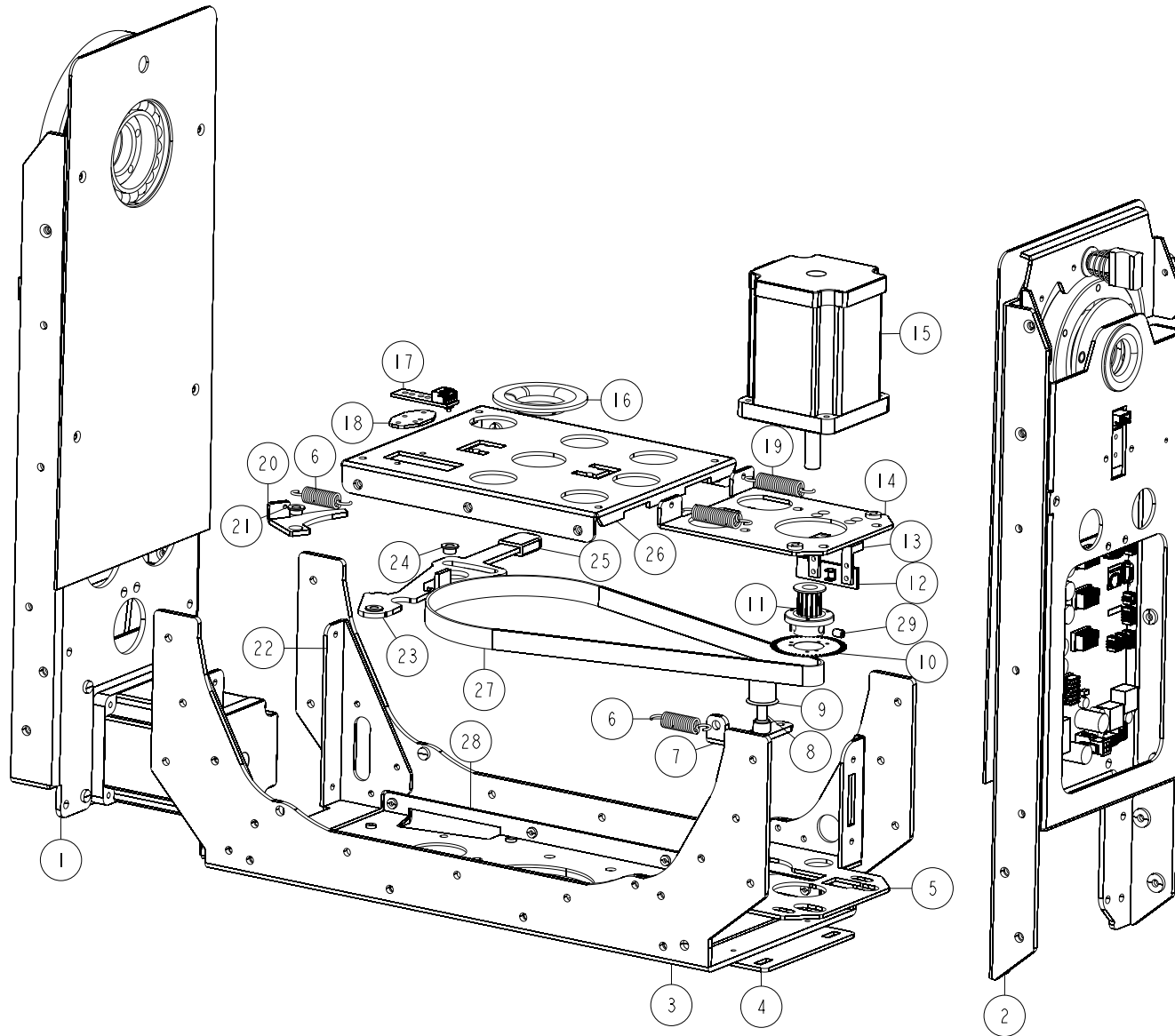
PRODUCT		VLZ WASH			
PIC. NO.		36-0003-01-02-00			
EDIT		FILE NO.	HY-EXP-1746A	PAGE NO.	4/53
CHECK		VERSION	V103_003	DATE	2018.08.08
APPROVE		ECN NO.		DATE	



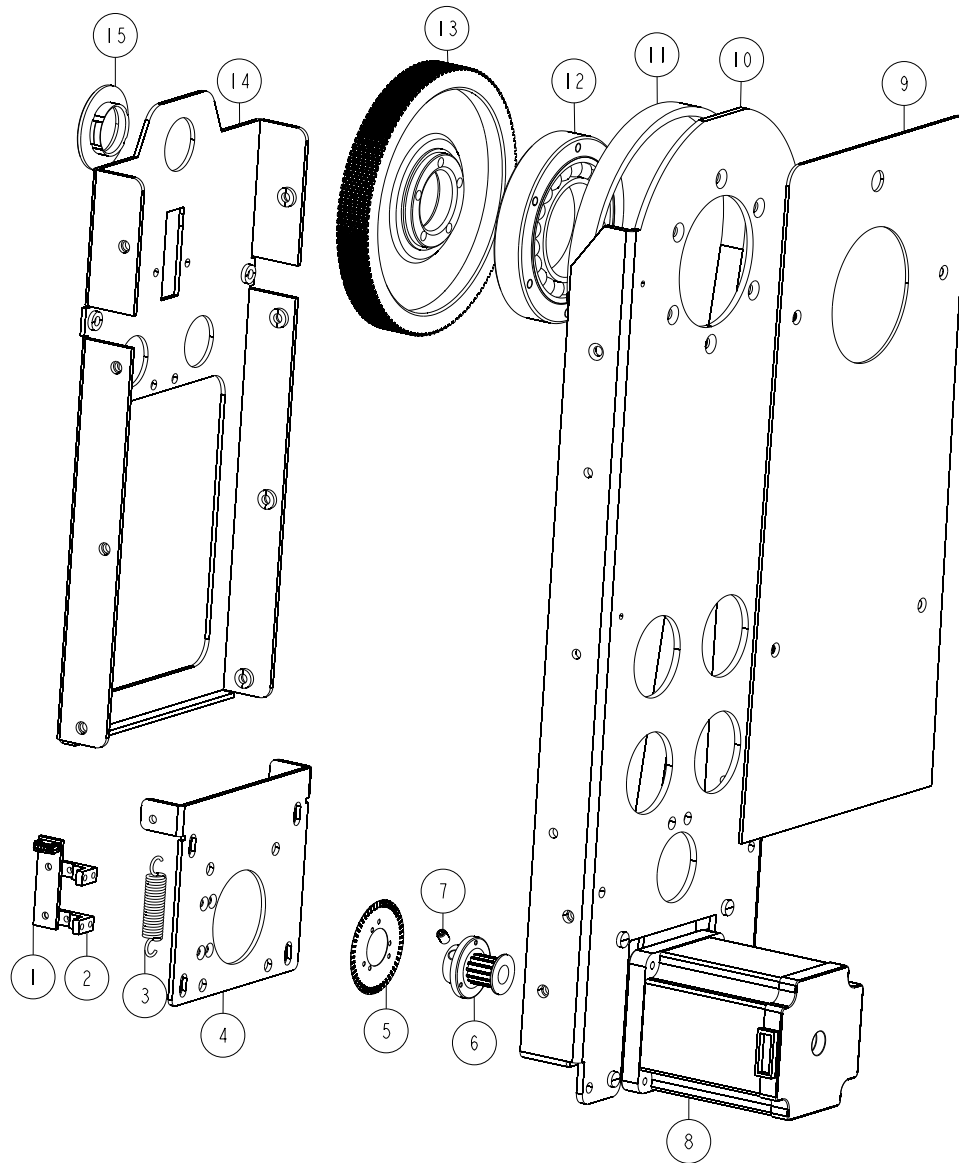
PRODUCT		VLZ WASH			
PIC. NO.		36-0003-01-03-00			
EDIT		FILE NO.	HY-EXP-1746A	PAGE NO.	5/53
CHECK		VERSION	V103_003	DATE	2018.08.08
APPROVE		ECN NO.		DATE	



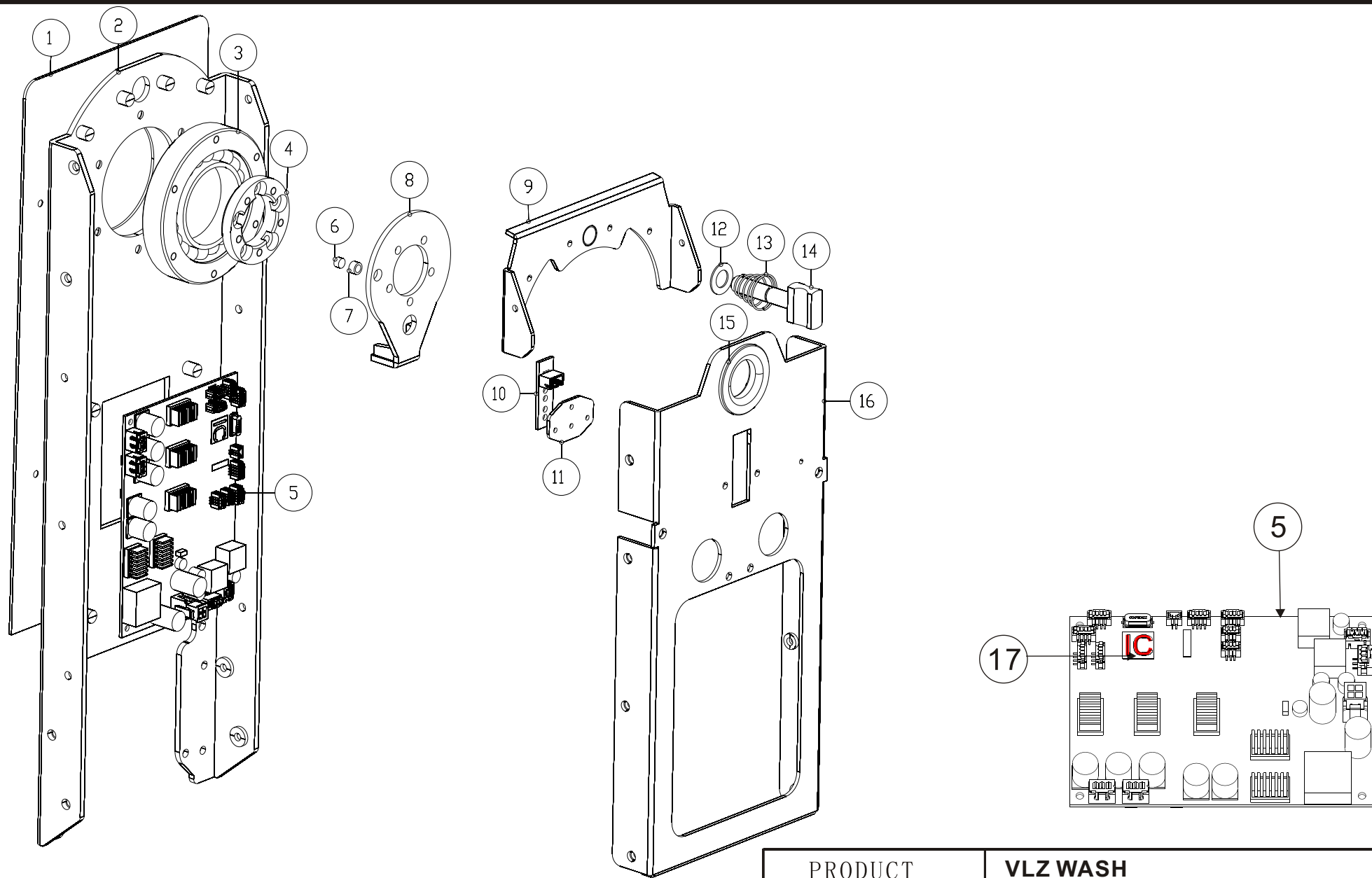
PRODUCT		VLZ WASH			
PIC. NO.		36-0003-02-00-00			
EDIT		FILE NO.	HY-EXP-1746A	PAGE NO.	6/53
CHECK		VERSION	V103_003	DATE	2018.08.08
APPROVE		ECN NO.		DATE	



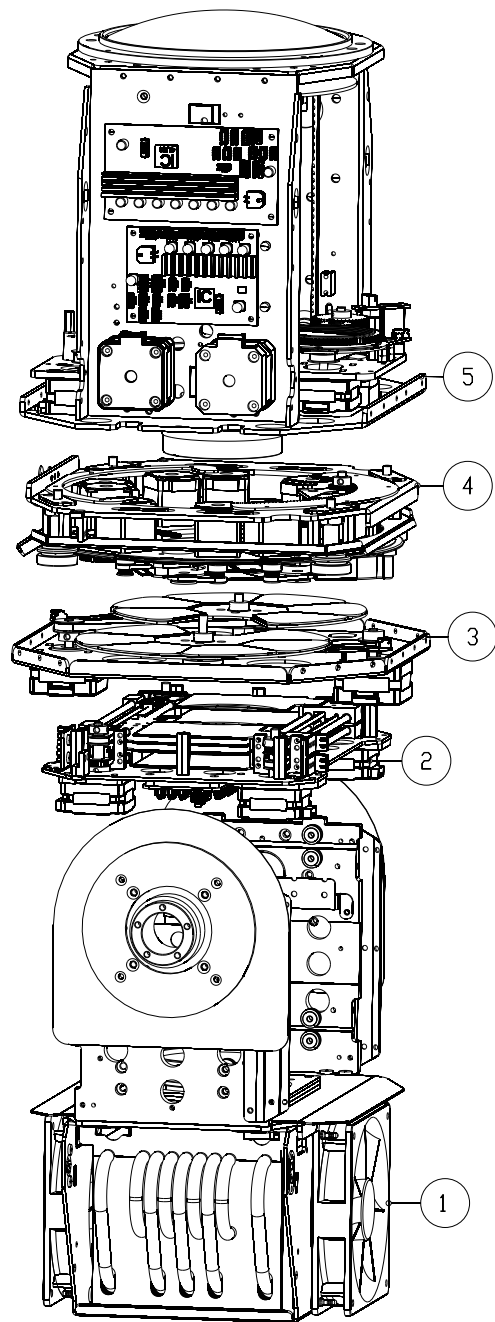
PRODUCT		VLZ WASH			
PIC. NO.		36-0003-03-00-00			
EDIT		FILE NO.	HY-EXP-1746A	PAGE NO.	7/53
CHECK		VERSION	V103_003	DATE	2018.08.08
APPROVE		ECN NO.		DATE	



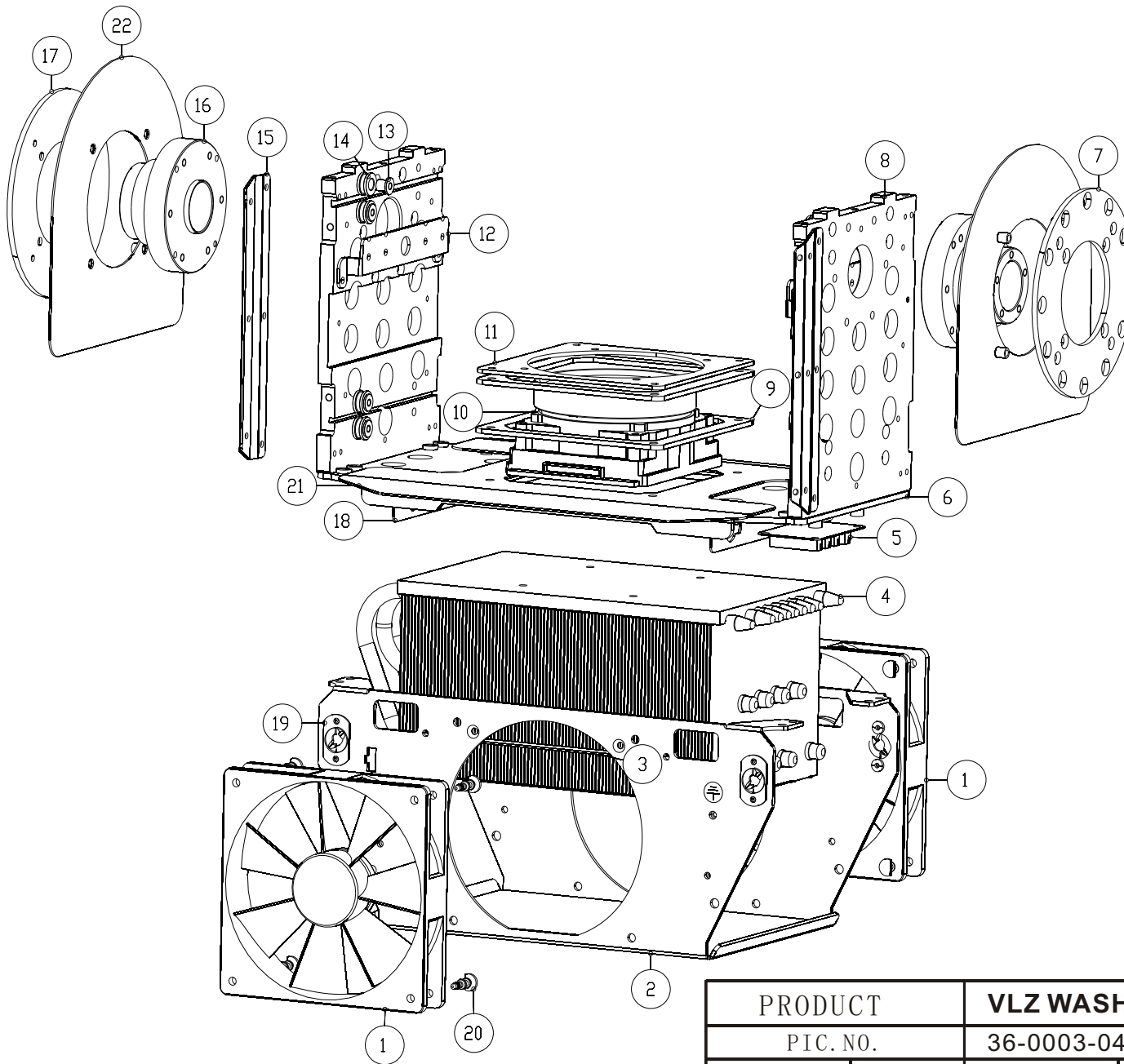
PRODUCT		VLZ WASH			
PIC. NO.		36-0003-03-01-00			
EDIT		FILE NO.	HY-EXP-1746A	PAGE NO.	8/53
CHECK		VERSION	V103_003	DATE	2018.08.08
APPROVE		ECN NO.		DATE	



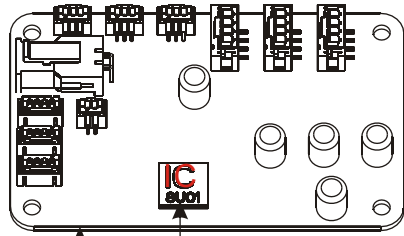
PRODUCT		VLZ WASH			
PIC. NO.		36-0003-03-02-00			
EDIT		FILE NO.	HY-EXP-1746A	PAGE NO.	9/53
CHECK		VERSION	V103_003	DATE	2018.08.08
APPROVE		ECN NO.		DATE	



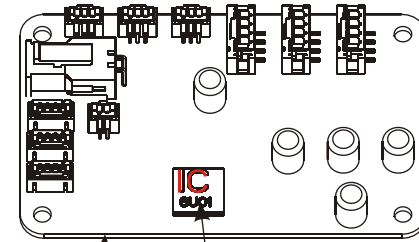
PRODUCT		VLZ WASH			
PIC. NO.		36-0005-04-00-00			
EDIT		FILE NO.	HY-EXP-1746A	PAGE NO.	10/53
CHECK		VERSION	V103_003	DATE	2018.08.08
APPROVE		ECN NO.		DATE	



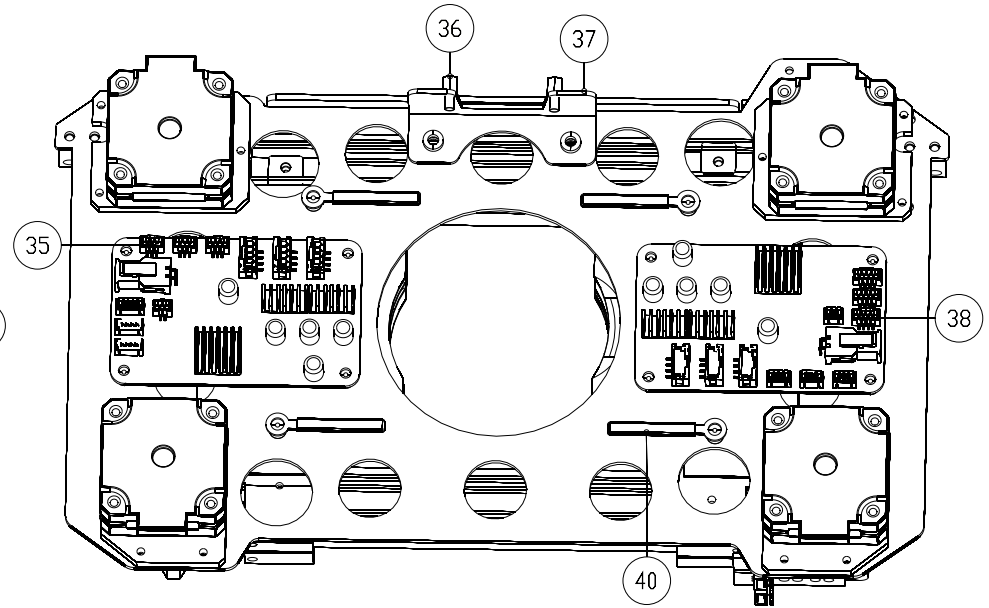
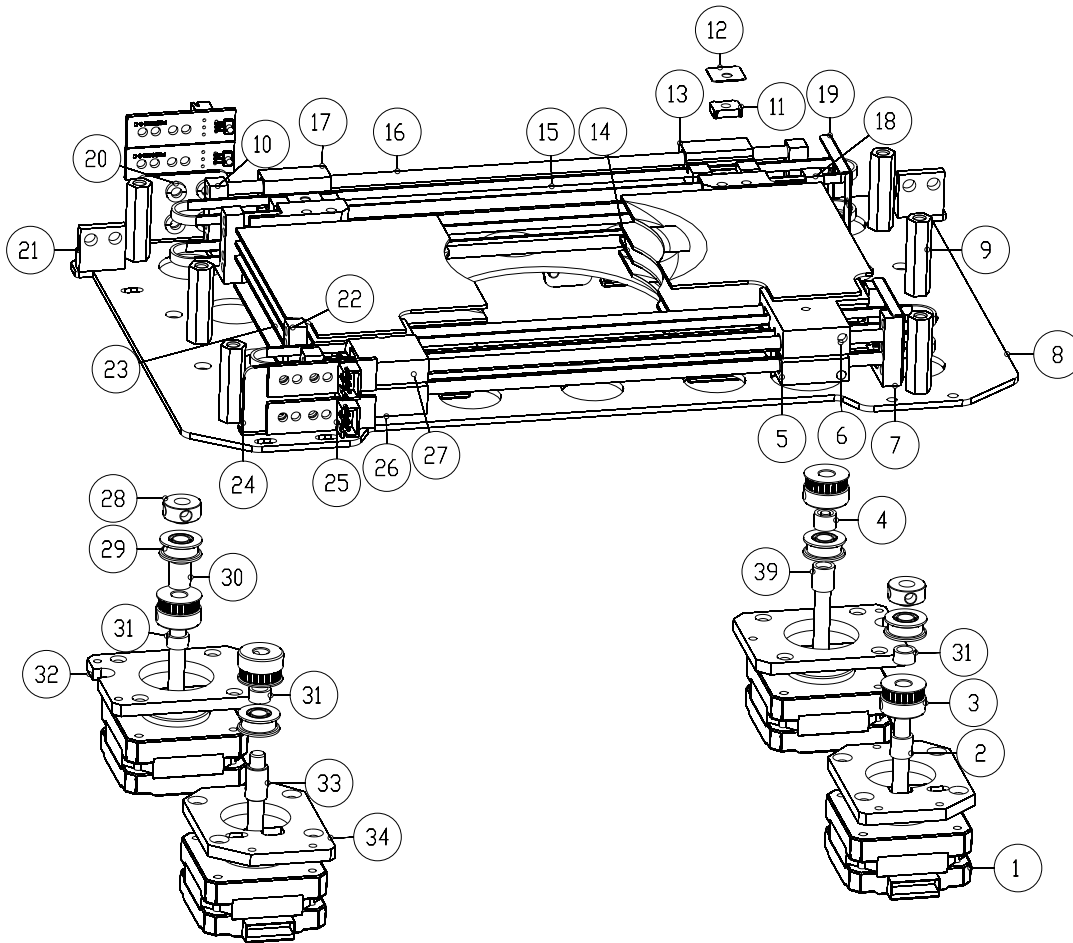
PRODUCT		VLZ WASH			
PIC. NO.		36-0003-04-01-00			
EDIT		FILE NO.	HY-EXP-1746A	PAGE NO.	11/53
CHECK		VERSION	V103_003	DATE	2018.08.08
APPROVE		ECN NO.		DATE	



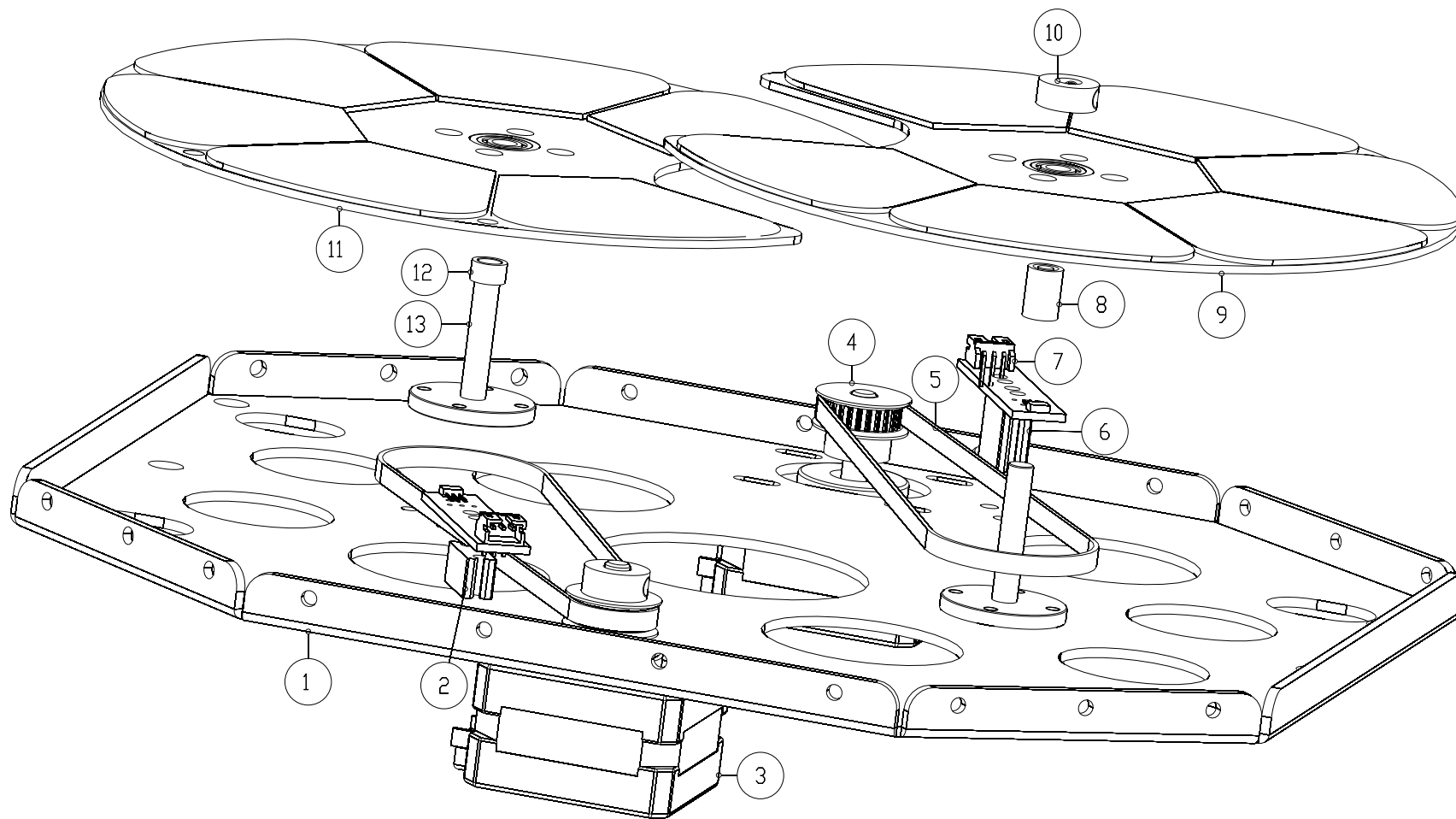
35 41



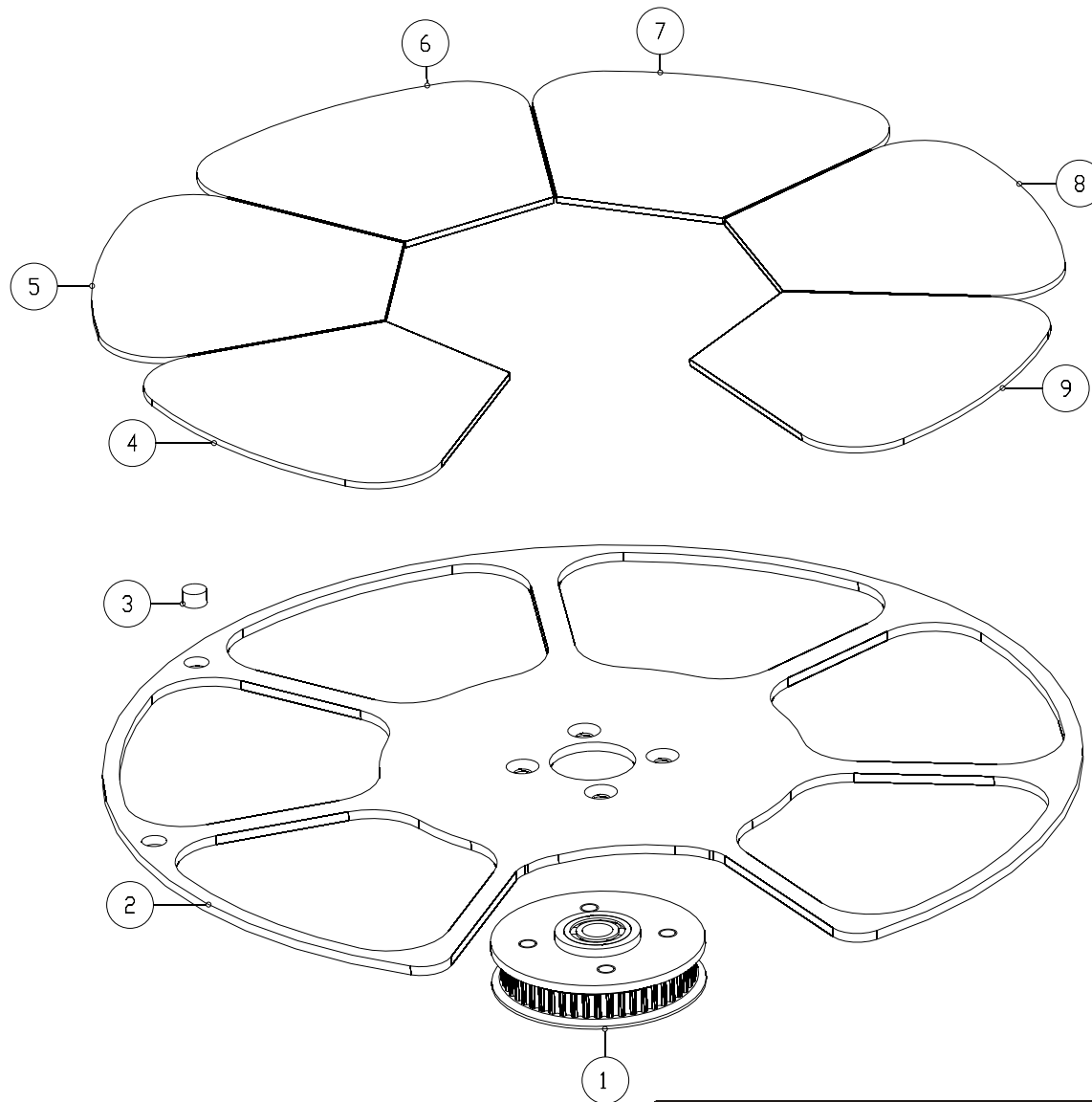
38 42



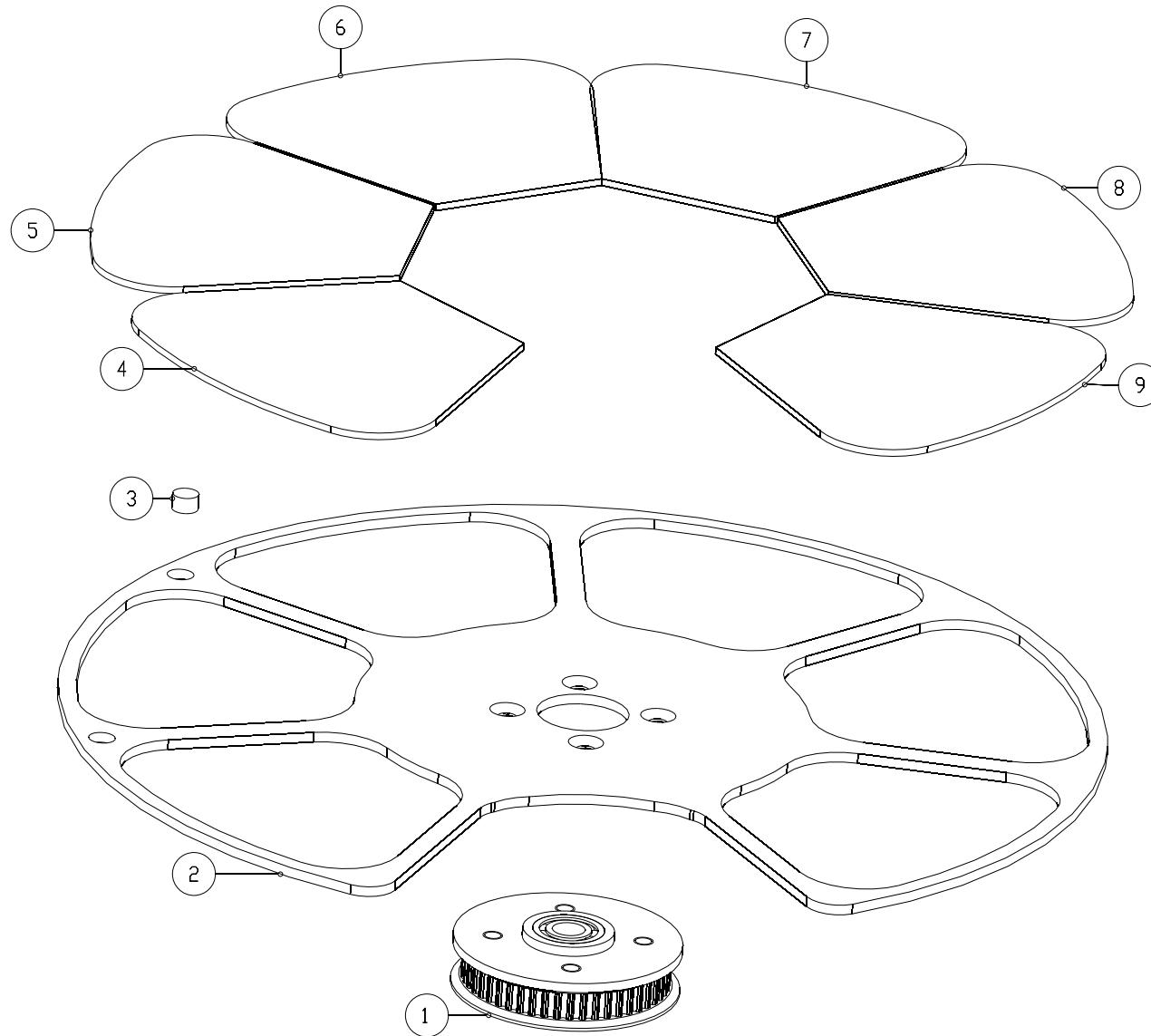
PRODUCT		VLZ WASH			
PIC. NO.		36-0005-04-02-00			
EDIT		FILE NO.	HY-EXP-1746A	PAGE NO.	12/53
CHECK		VERSION	V103_003	DATE	2018.08.08
APPROVE		ECN NO.		DATE	



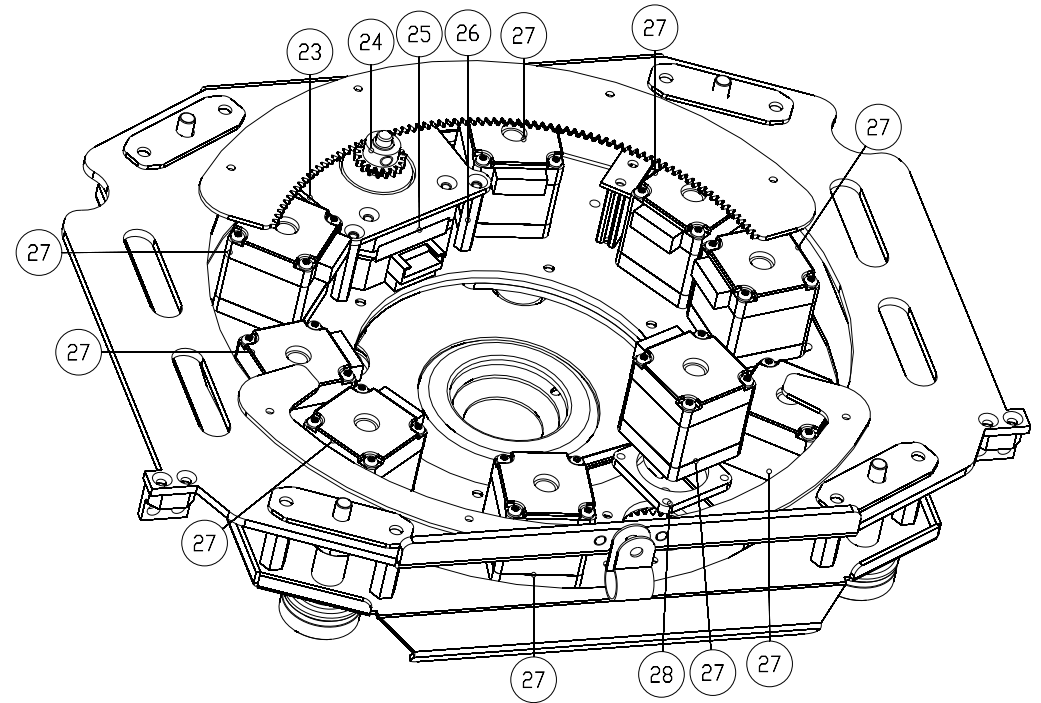
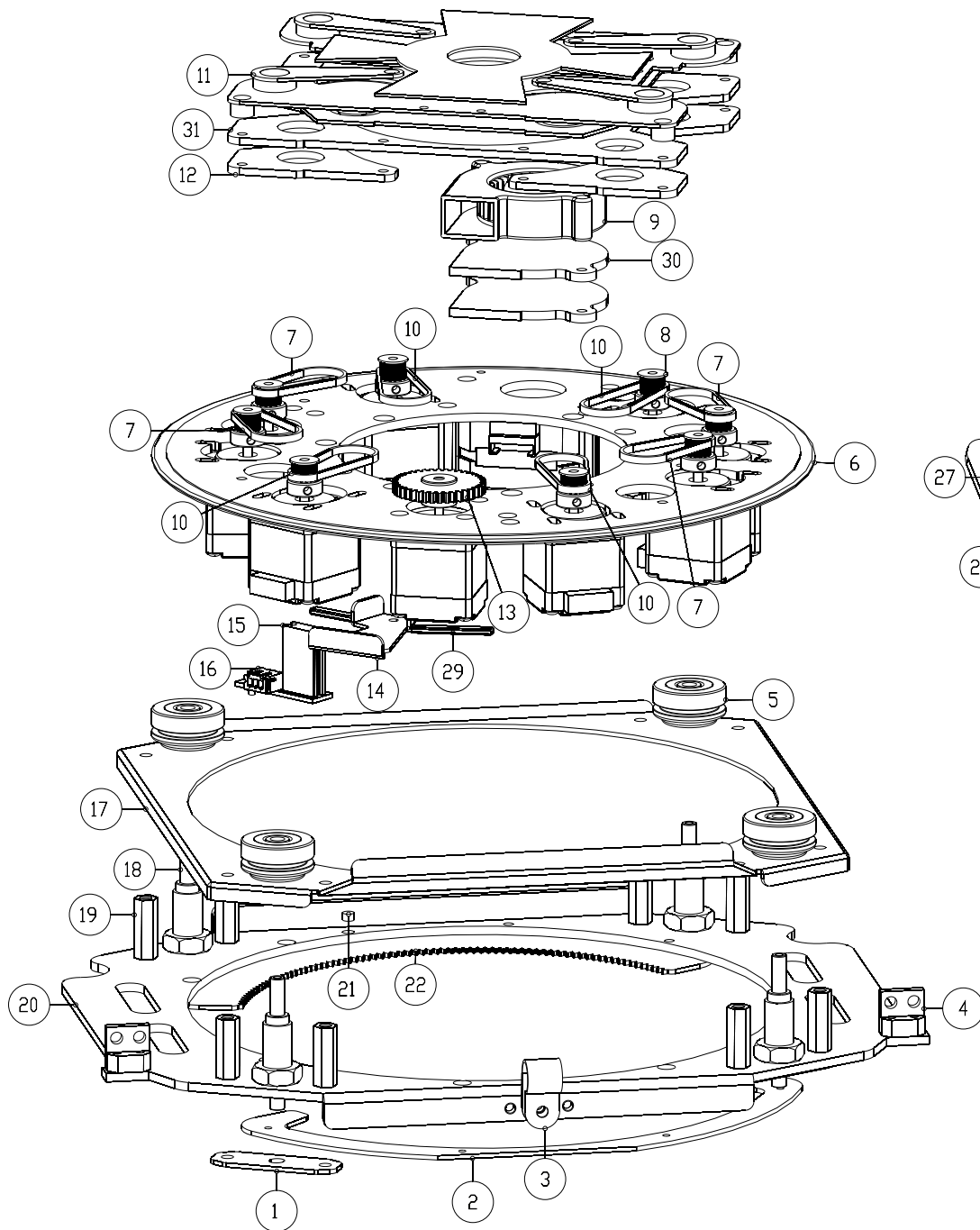
PRODUCT		VLZ WASH			
PIC. NO.		36-0005-04-03-00			
EDIT		FILE NO.	HY-EXP-1746A	PAGE NO.	13/53
CHECK		VERSION	V103_003	DATE	2018.08.08
APPROVE		ECN NO.		DATE	



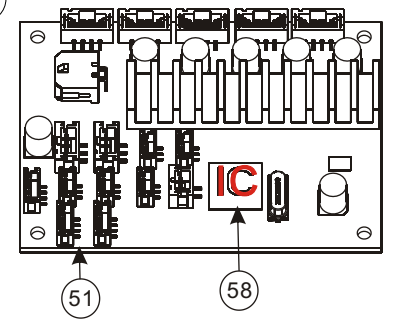
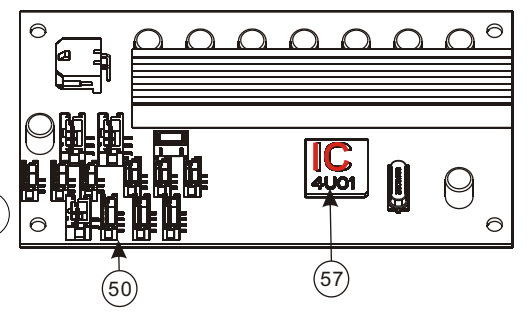
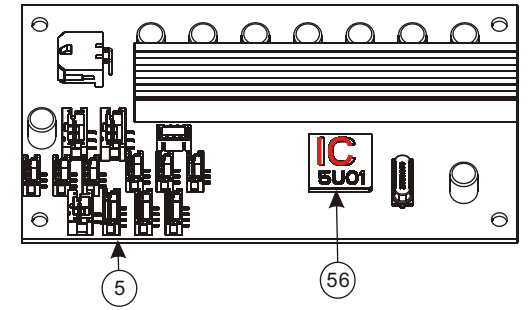
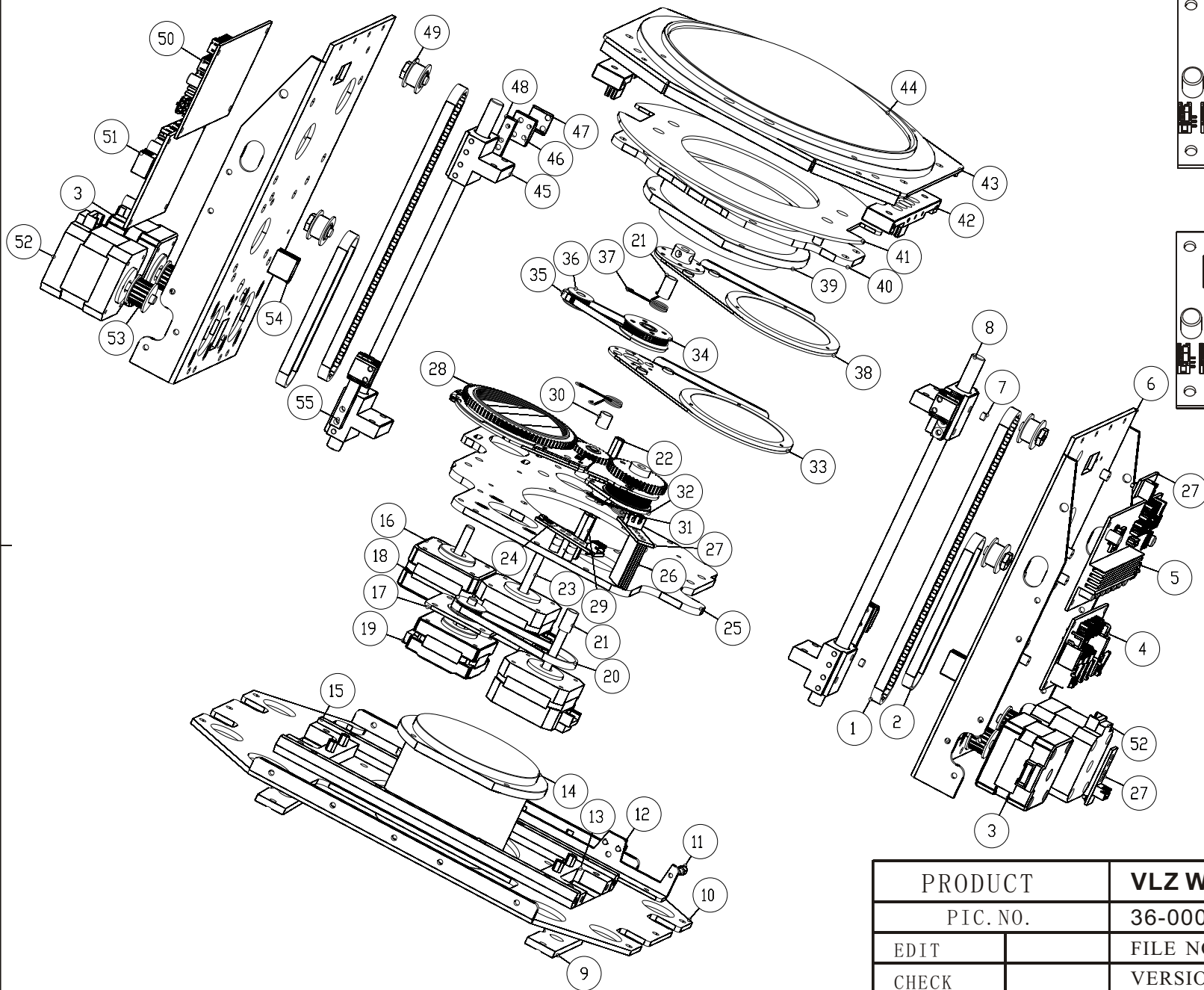
PRODUCT		VLZ WASH			
PIC. NO.		A002-VL550S-04A-42_A00			
EDIT		FILE NO.	HY-EXP-1746A	PAGE NO.	14/53
CHECK		VERSION	V103_003	DATE	2018.08.08
APPROVE		ECN NO.		DATE	



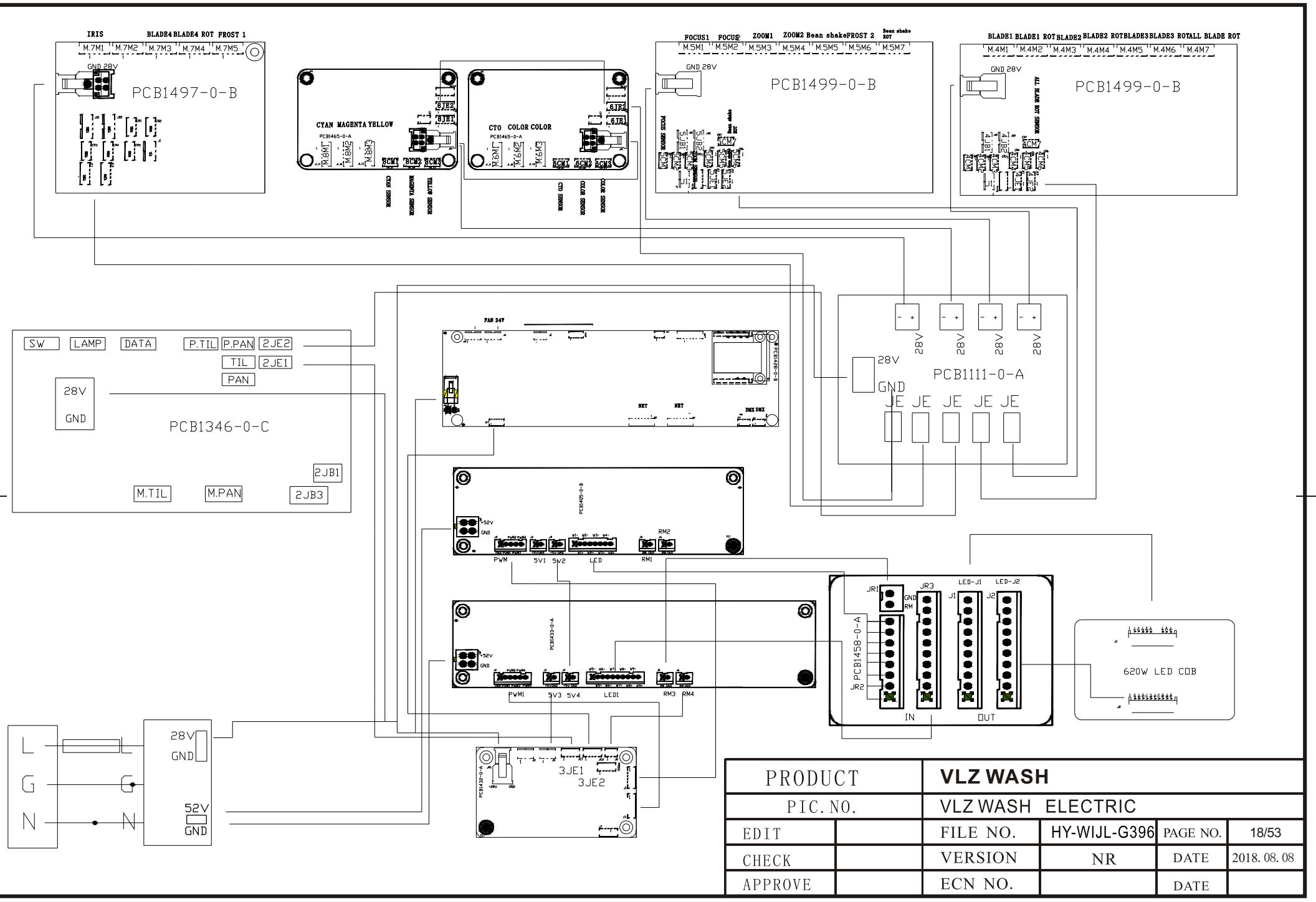
PRODUCT		VLZ WASH			
PIC. NO.		A001-VL550S-04A-42_A00			
EDIT		FILE NO.	HY-EXP-1746A	PAGE NO.	15/53
CHECK		VERSION	V103_003	DATE	2018.08.08
APPROVE		ECN NO.		DATE	



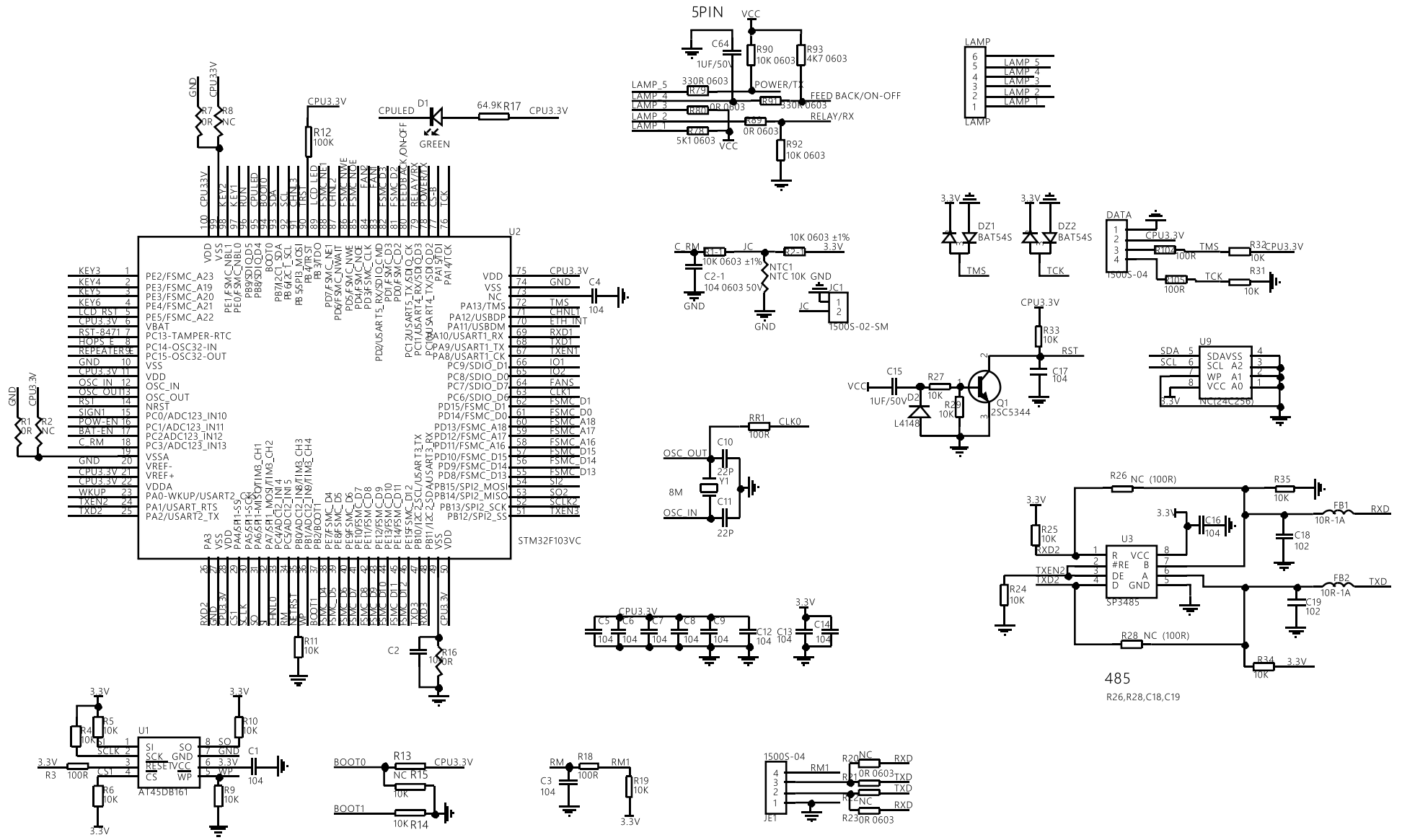
PRODUCT		VLZ WASH			
PIC. NO.		36-0005-04-04-00			
EDIT		FILE NO.	HY-EXP-1746A	PAGE NO.	16/53
CHECK		VERSION	V103_003	DATE	2018.08.08
APPROVE		ECN NO.		DATE	



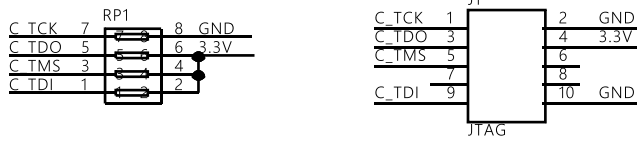
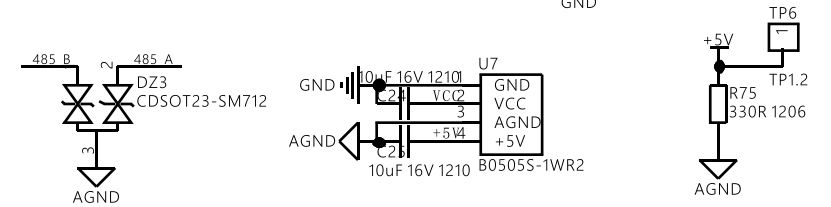
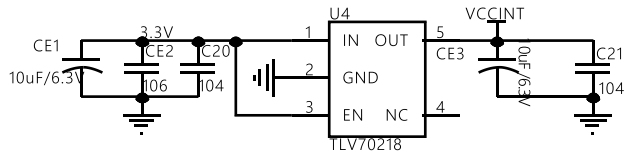
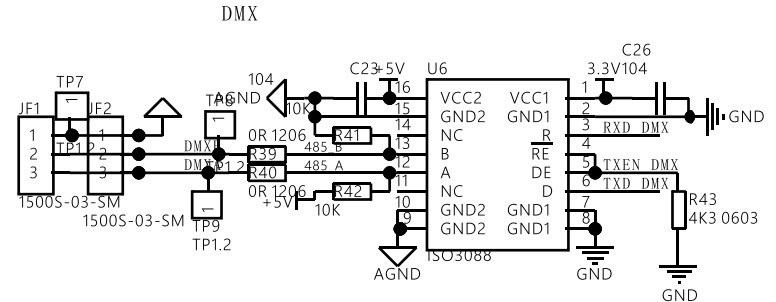
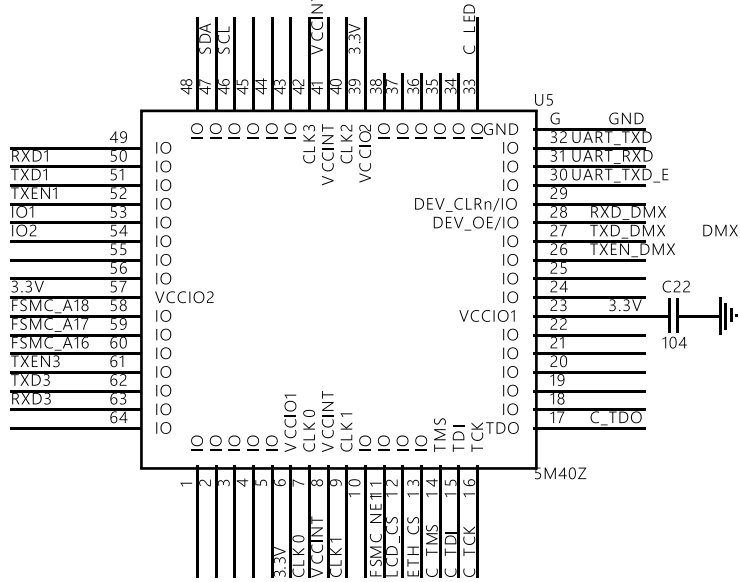
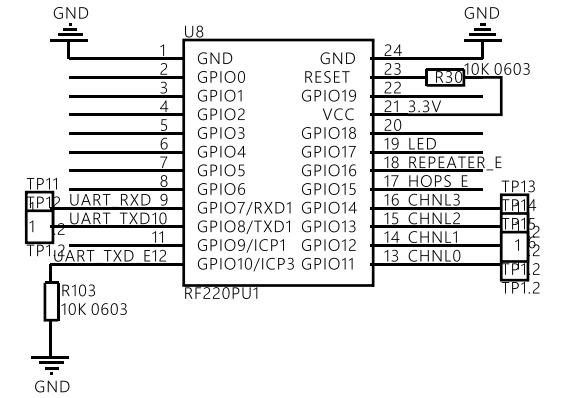
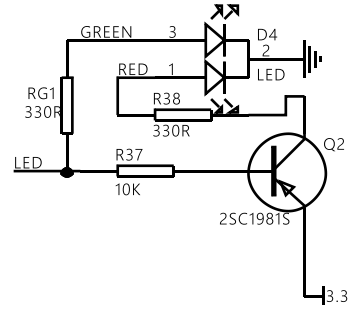
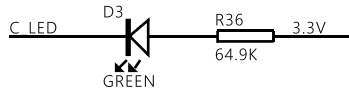
PRODUCT		VLZ WASH			
PIC. NO.		36-0005-04-05-00			
EDIT		FILE NO.	HY-EXP-1746A	PAGE NO.	17/53
CHECK		VERSION	V103_003	DATE	2018.08.08
APPROVE		ECN NO.		DATE	



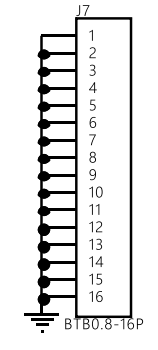
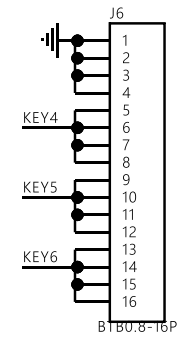
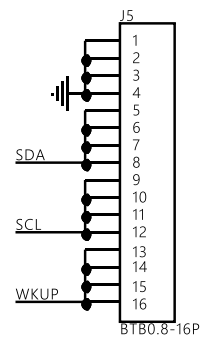
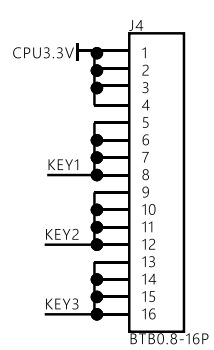
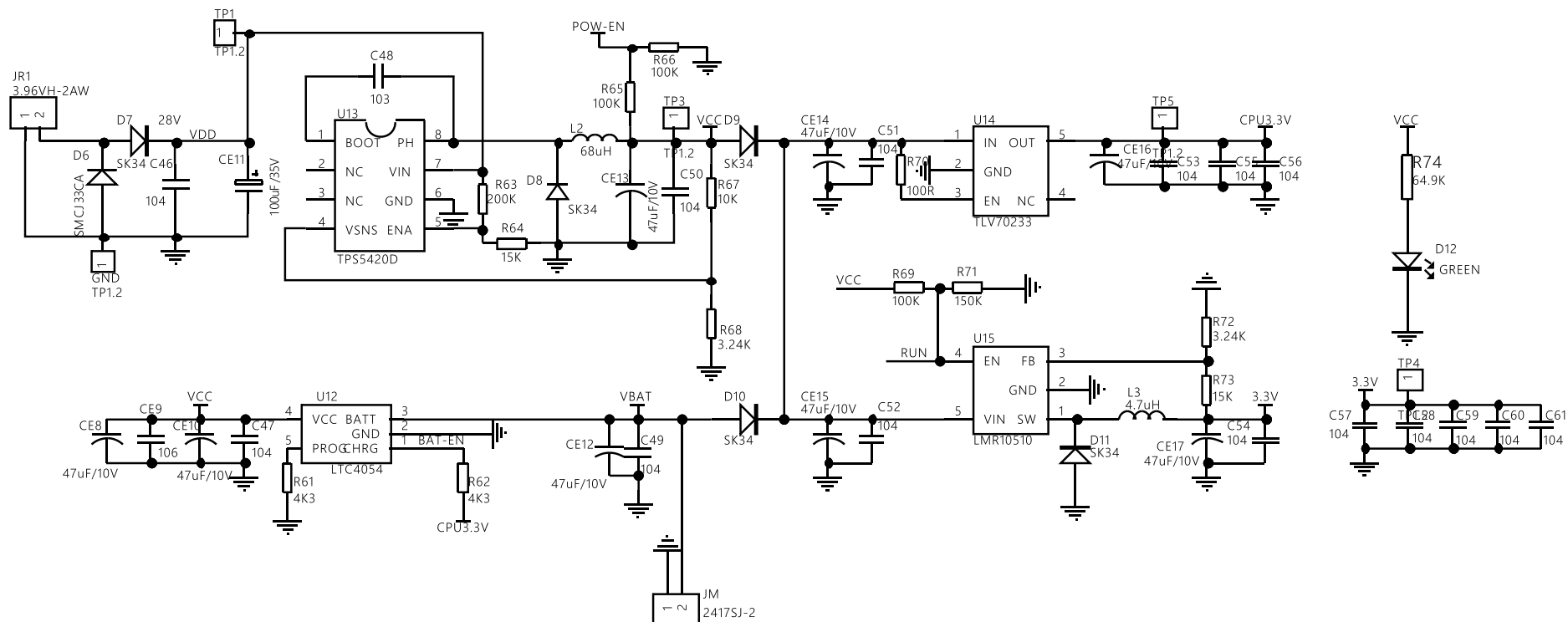
PRODUCT		VLZ WASH			
PIC. NO.		VLZ WASH ELECTRIC			
EDIT		FILE NO.	HY-WIJL-G396	PAGE NO.	18/53
CHECK		VERSION	NR	DATE	2018.08.08
APPROVE		ECN NO.		DATE	



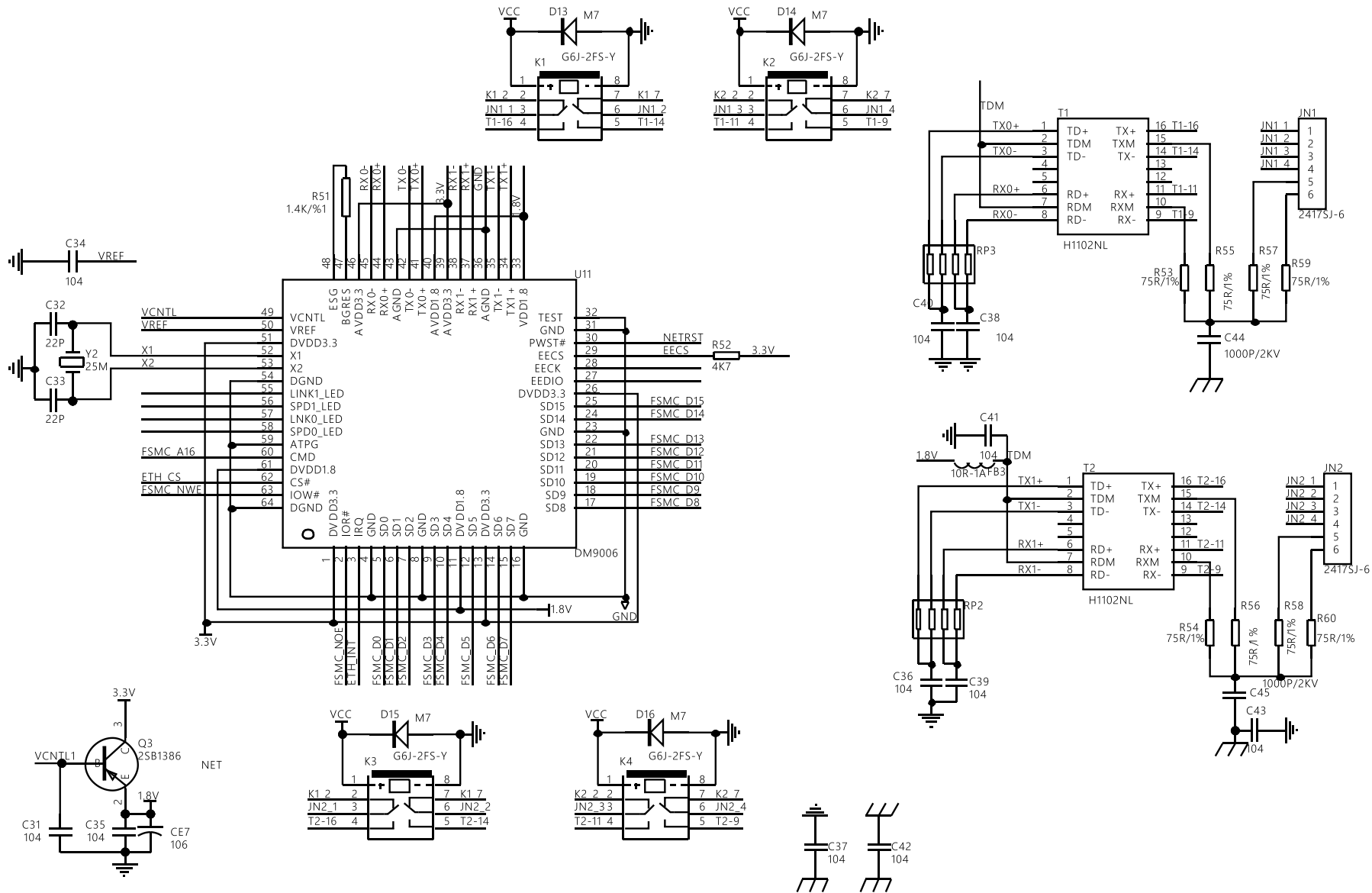
PRODUCT		VLZ WASH			
PIC. NO.		PCB1428-0-B SCHEME (1/5)			
EDIT		FILE NO.	HY-WIEC-1698	PAGE NO.	19/53
CHECK		VERSION	NR	DATE	2018.08.08
APPROVE		ECN NO.		DATE	



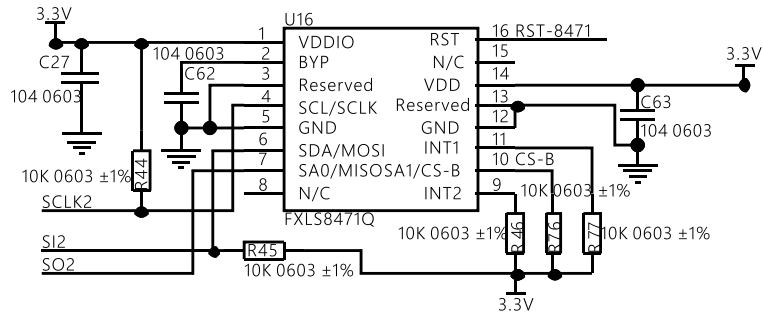
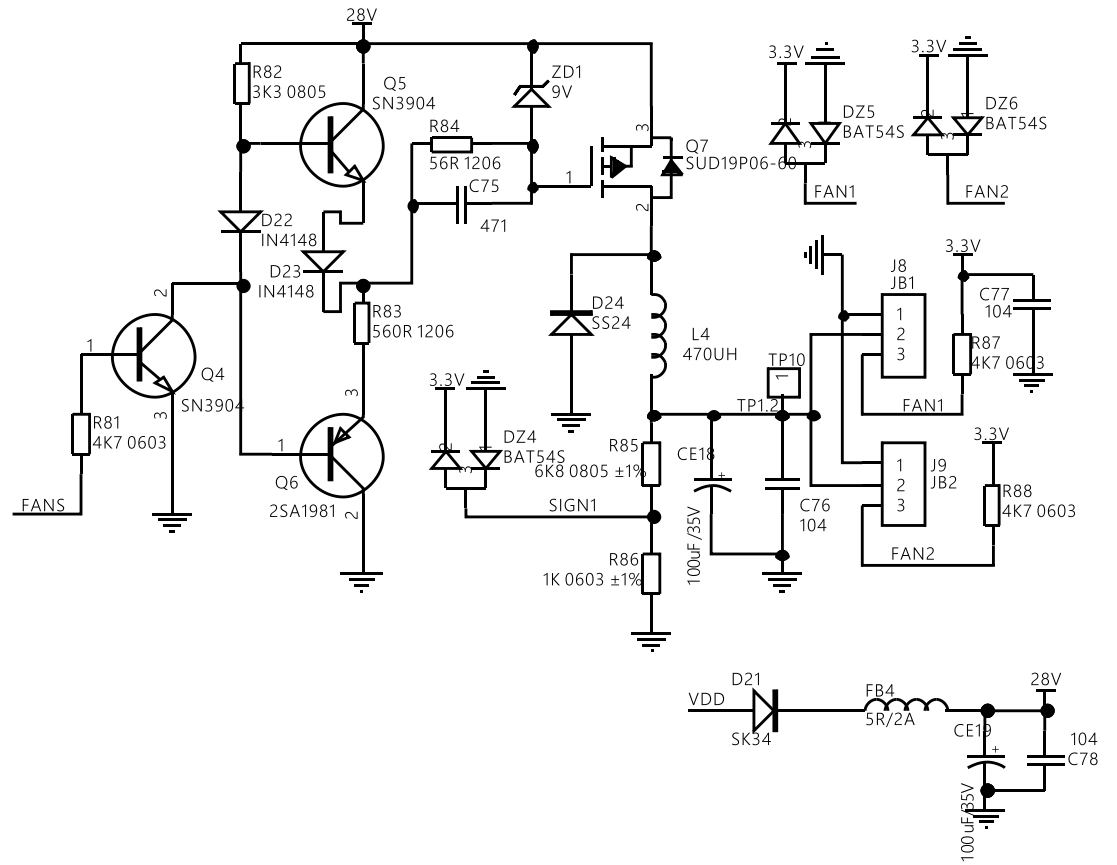
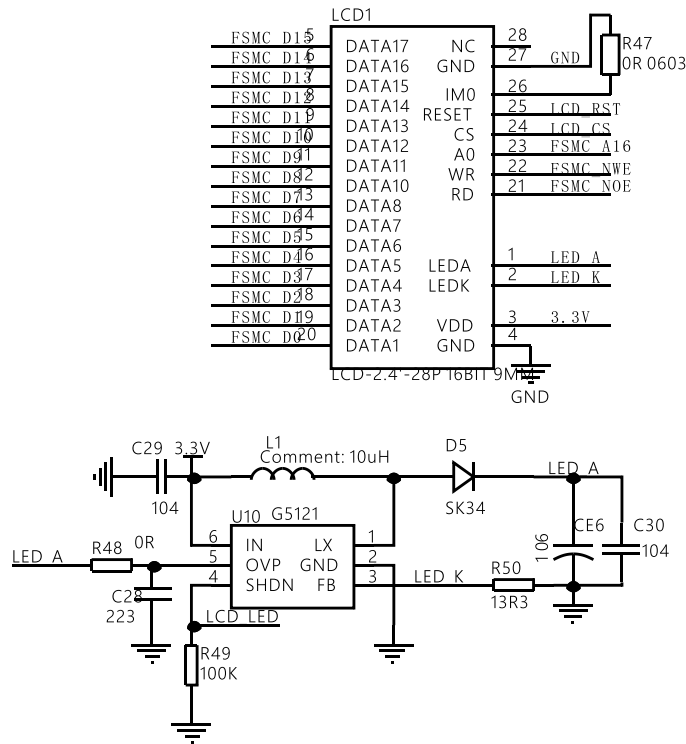
PRODUCT		VLZ WASH			
PIC. NO.		PCB1428-0-B SCHEME (2/5)			
EDIT		FILE NO.	HY-WIEC-1698	PAGE NO.	20/53
CHECK		VERSION	NR	DATE	2018. 08. 08
APPROVE		ECN NO.		DATE	



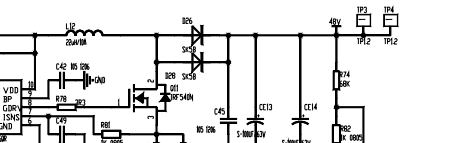
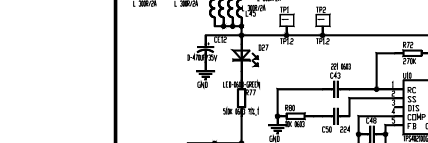
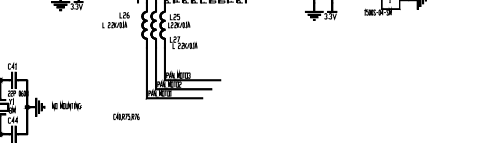
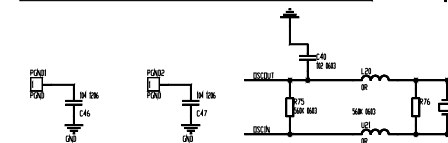
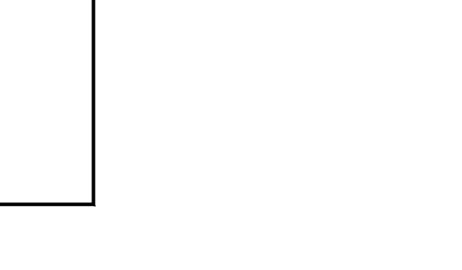
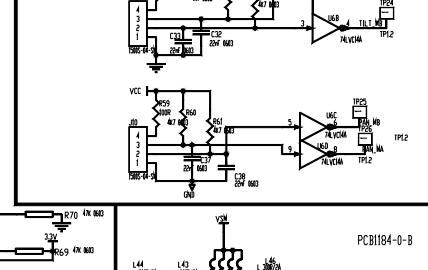
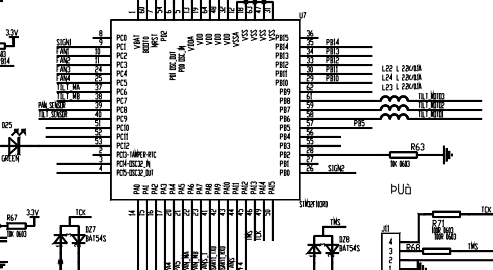
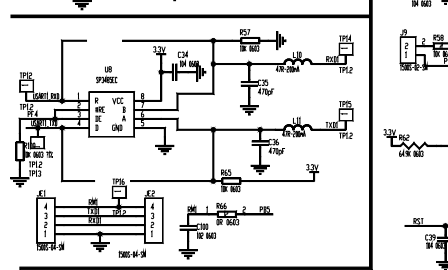
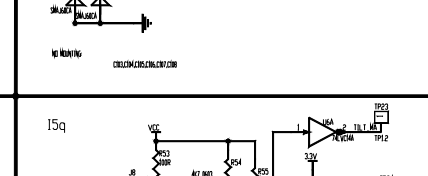
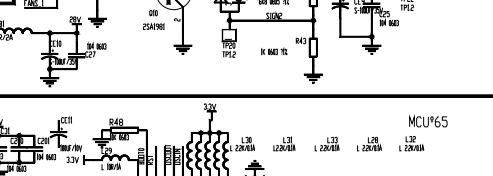
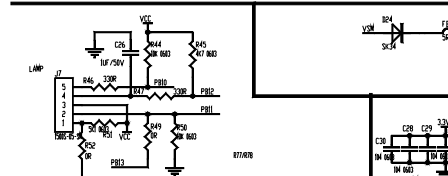
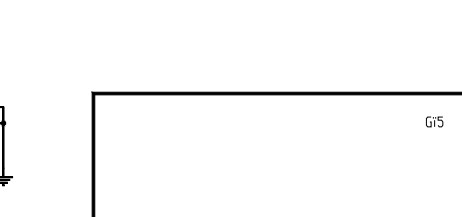
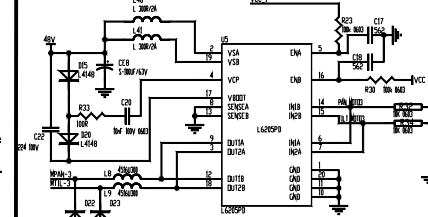
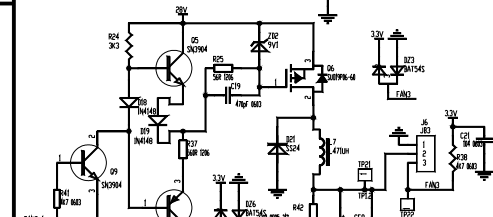
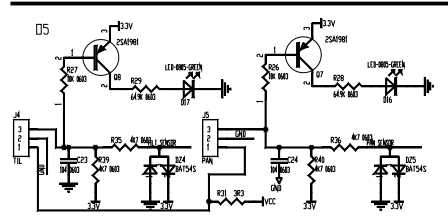
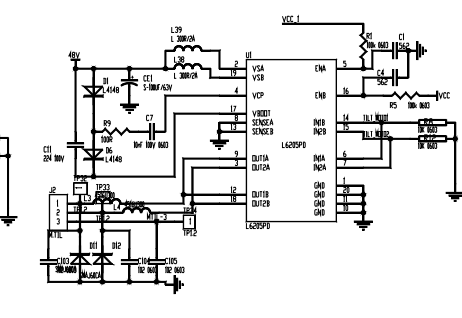
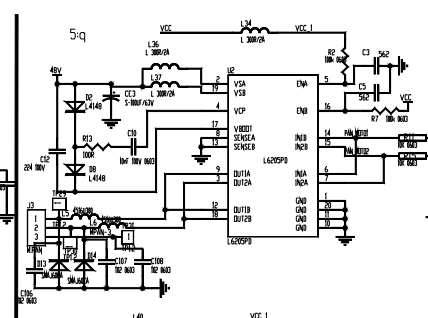
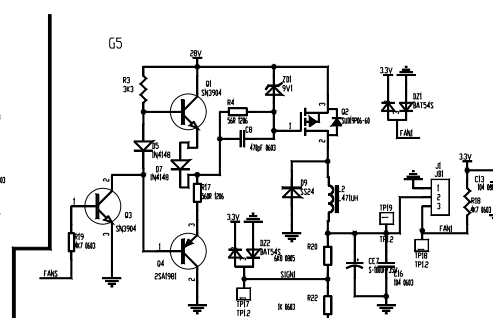
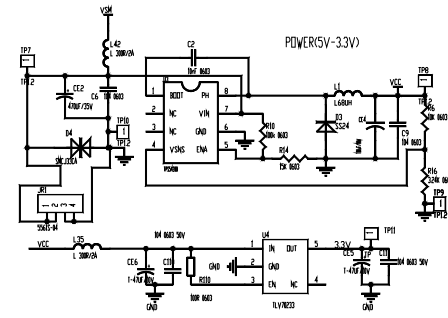
PRODUCT		VLZ WASH			
PIC. NO.		PCB1428-0-B SCHEME (3/5)			
EDIT		FILE NO.	HY-WIEC-1698	PAGE NO.	21/53
CHECK		VERSION	NR	DATE	2018.08.08
APPROVE		ECN NO.		DATE	



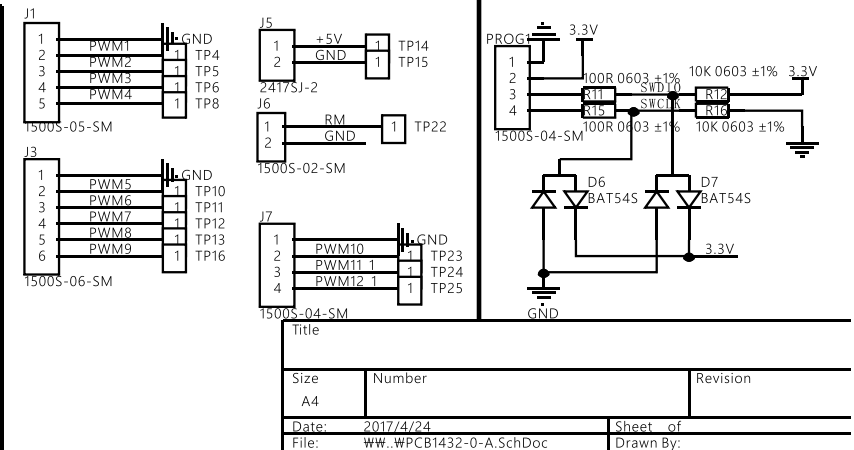
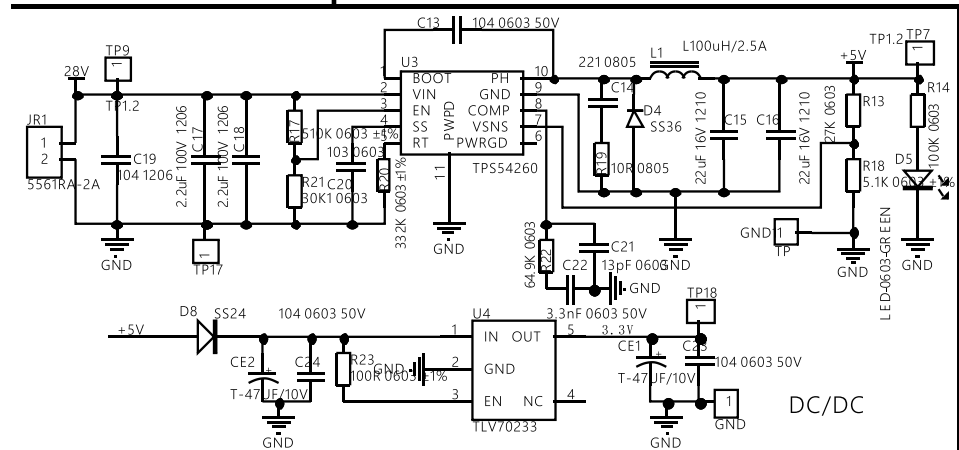
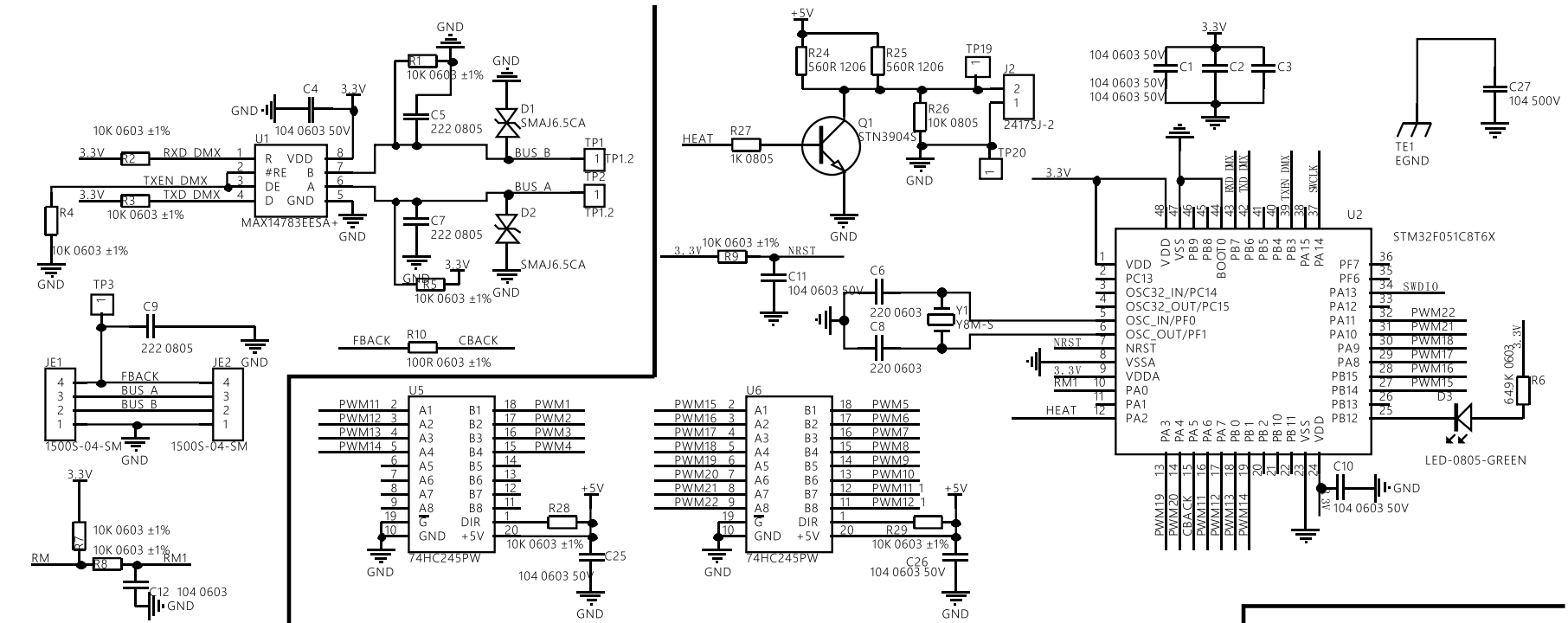
PRODUCT		VLZ WASH			
PIC. NO.		PCB1428-0-B SCHEME (4/5)			
EDIT		FILE NO.	HY-WIEC-1698	PAGE NO.	22/53
CHECK		VERSION	NR	DATE	2018.08.08
APPROVE		ECN NO.		DATE	



PRODUCT		VLZ WASH			
PIC. NO.		PCB1428-0-B SCHEME (5/5)			
EDIT		FILE NO.	HY-WIEC-1698	PAGE NO.	23/53
CHECK		VERSION	NR	DATE	2018. 08. 08
APPROVE		ECN NO.		DATE	



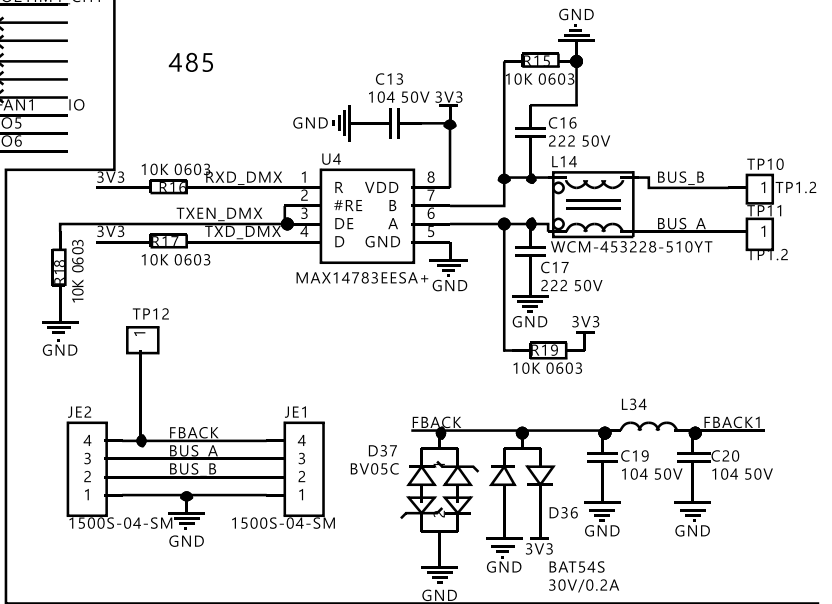
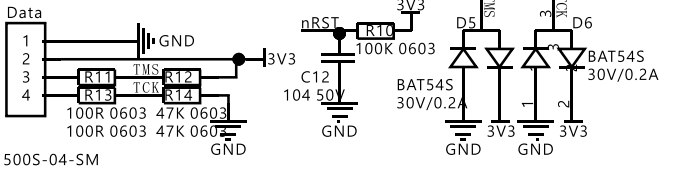
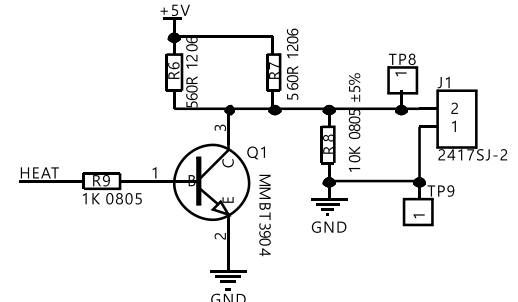
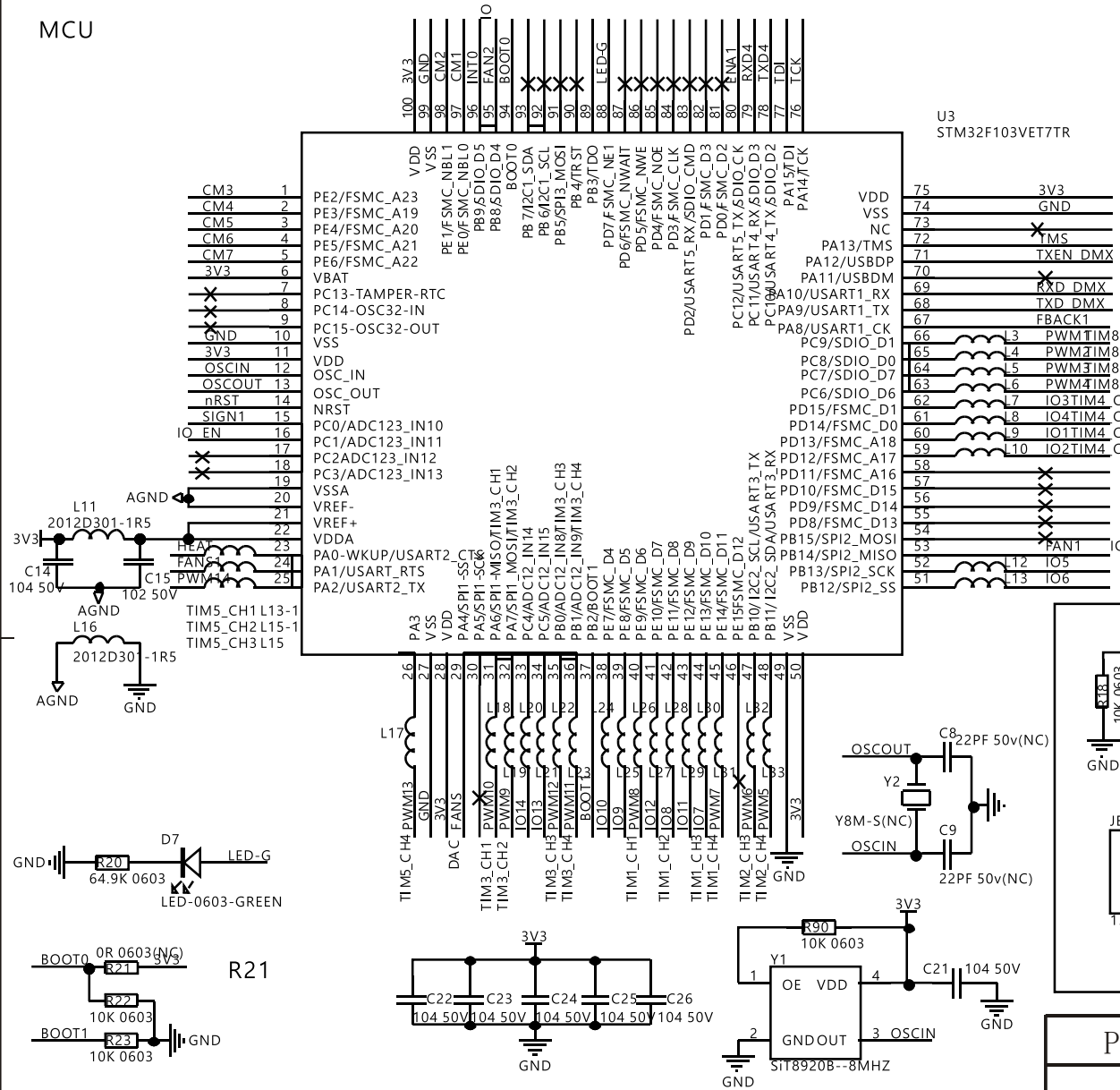
PRODUCT		VLZ WASH			
PIC. NO.		PCB1346-0-C SCHEME			
EDIT		FILE NO.	HY-WIEC-1600	PAGE NO.	24/53
CHECK		VERSION	NR	DATE	2018.08.08
APPROVE		ECN NO.		DATE	



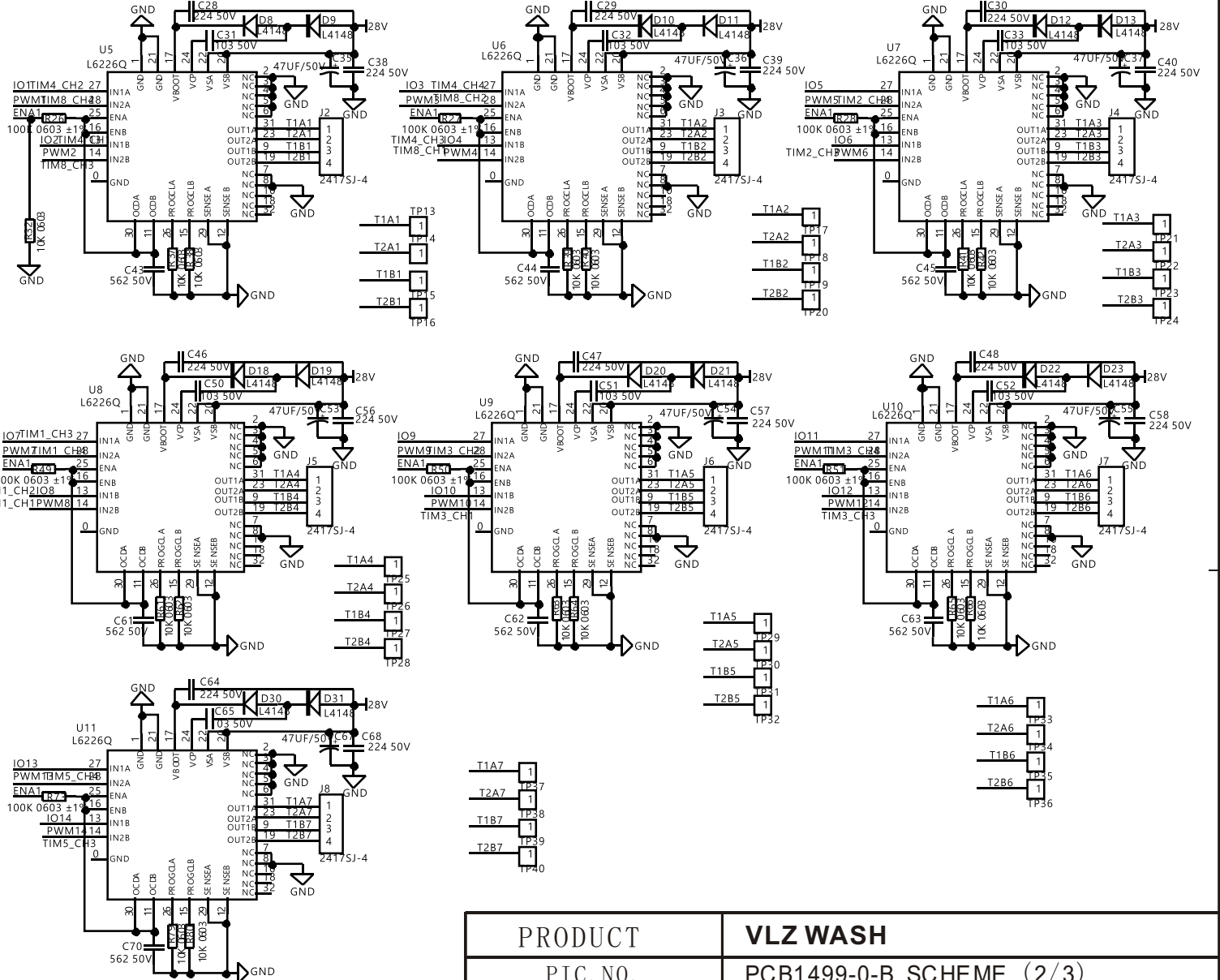
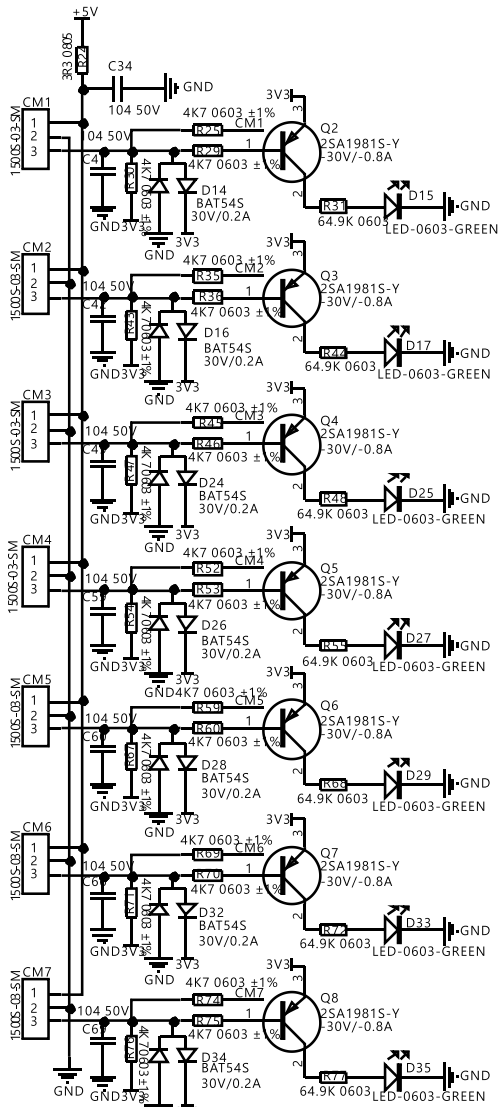
Title		
Size	Number	Revision
Date: 2017/4/24		
File: ww.WPCB1432-0-A.SchDoc		Sheet of

PRODUCT		VLZ WASH			
PIC. NO.		PCB1432-0-A SCHEME			
EDIT		FILE NO.	HY-WIEC-1765	PAGE NO.	25/53
CHECK		VERSION	NR	DATE	2018.08.08
APPROVE		ECN NO.		DATE	

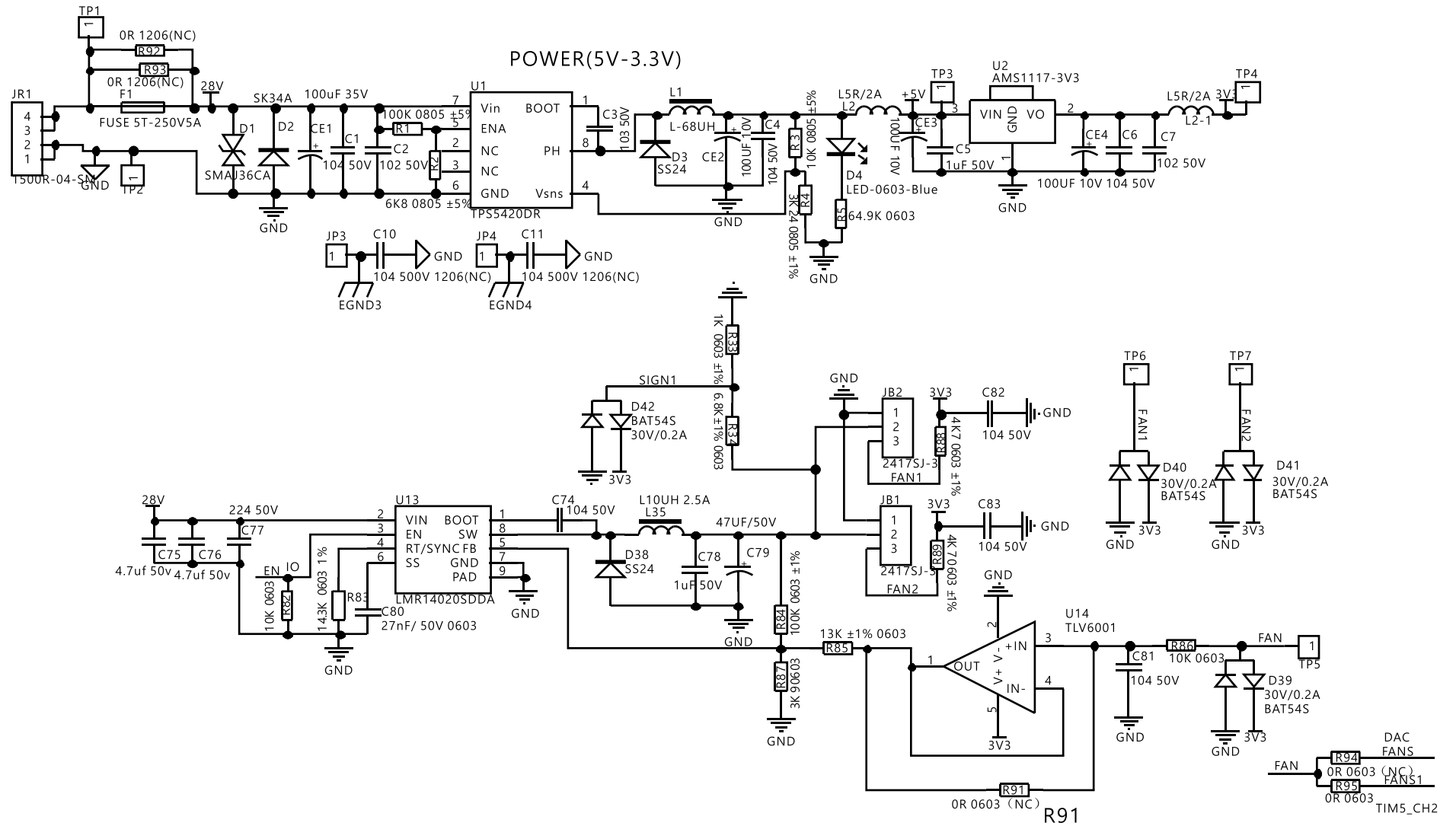
MCU



PRODUCT		VLZ WASH			
PIC. NO.		PCB1499-0-B SCHEME (1/3)			
EDIT		FILE NO.	HY-WIEC-1906	PAGE NO.	26/53
CHECK		VERSION	NR	DATE	2018.08.08
APPROVE		ECN NO.		DATE	



PRODUCT		VLZ WASH			
PIC. NO.		PCB1499-0-B SCHEME (2/3)			
EDIT		FILE NO.	HY-WIEC-1906	PAGE NO.	27/53
CHECK		VERSION	NR	DATE	2018.08.08
APPROVE		ECN NO.		DATE	

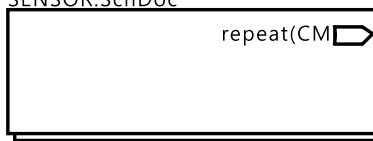


PRODUCT		VLZ WASH			
PIC. NO.		PCB1499-0-B SCHEME (3/3)			
EDIT		FILE NO.	HY-WIEC-1906	PAGE NO.	28/53
CHECK		VERSION	NR	DATE	2018.08.08
APPROVE		ECN NO.		DATE	

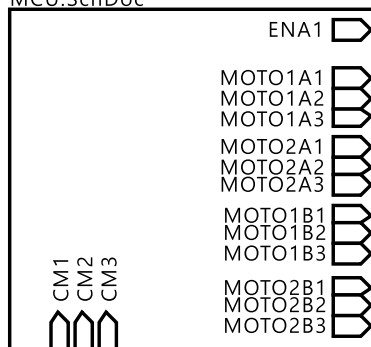
U_POWER
POWER.SchDoc



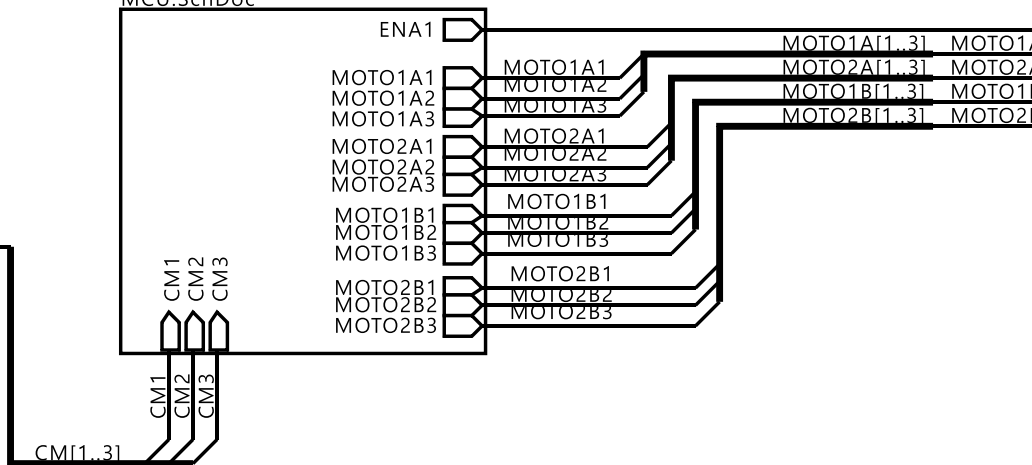
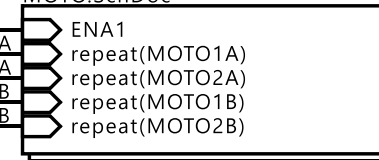
repeat(2,1,3)
SENSOR.SchDoc



U_MCU
MCU.SchDoc

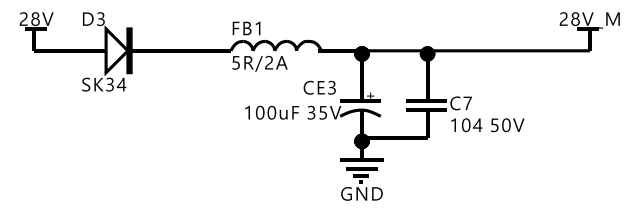
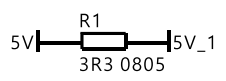
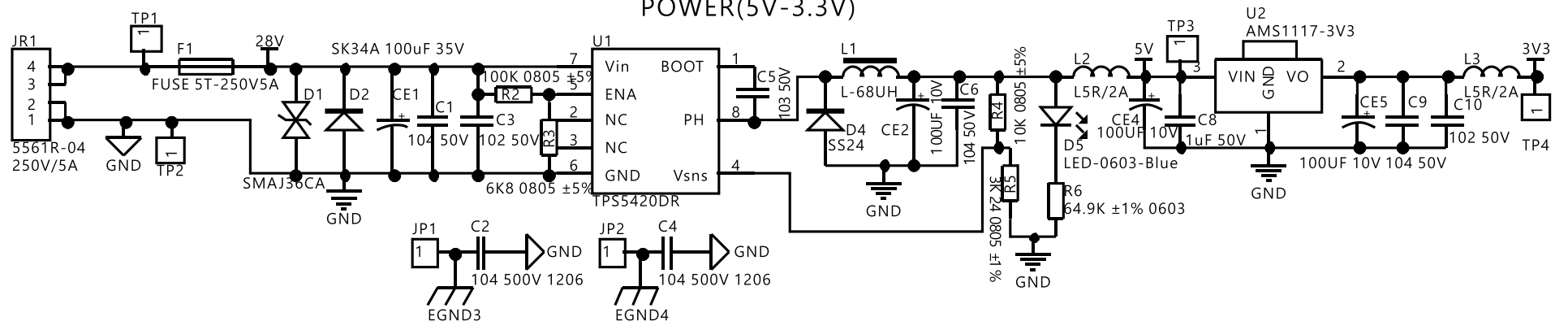


repeat(1,1,3)
MOTO.SchDoc

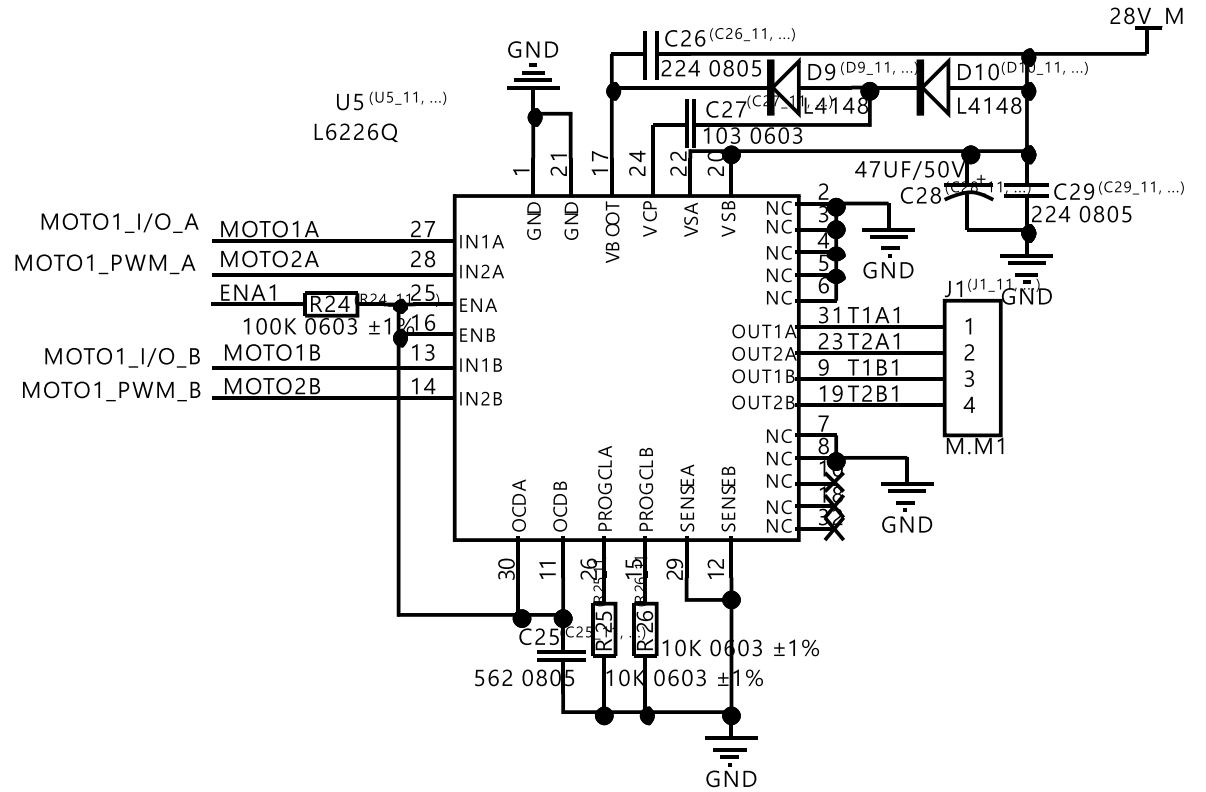
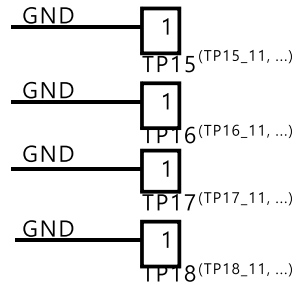
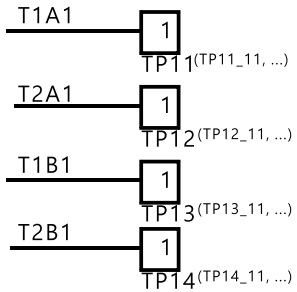
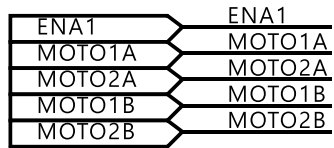


PRODUCT		VLZ WASH			
PIC. NO.		PCB1465-0-B SCHEME (1/5)			
EDIT		FILE NO.	HY-WIEC-1908	PAGE NO.	29/53
CHECK		VERSION	NR	DATE	2018.08.08
APPROVE		ECN NO.		DATE	

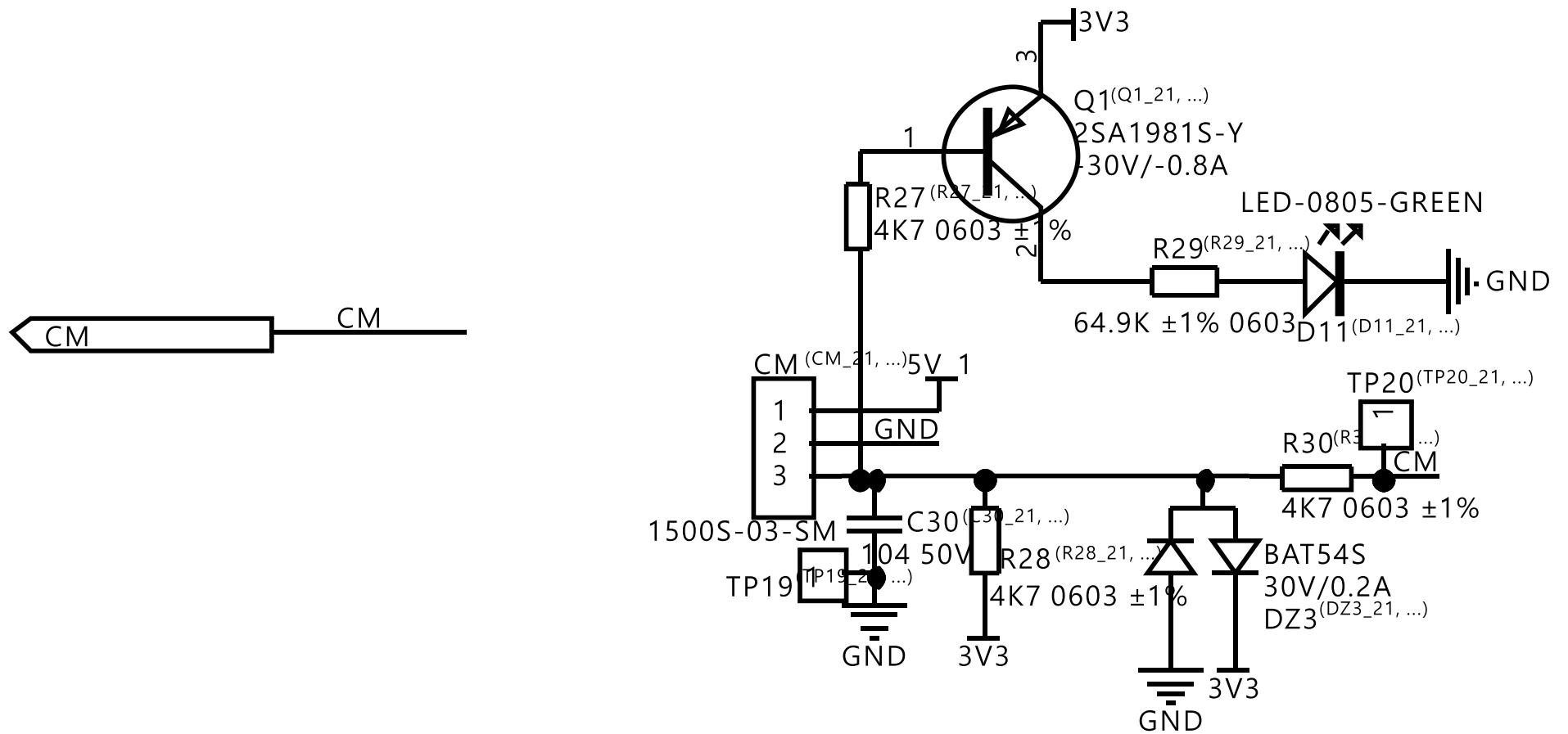
POWER(5V-3.3V)



PRODUCT		VLZ WASH			
PIC. NO.		PCB1465-0-B SCHEME (2/5)			
EDIT		FILE NO.	HY-WIEC-1908	PAGE NO.	30/53
CHECK		VERSION	NR	DATE	2018.08.08
APPROVE		ECN NO.		DATE	

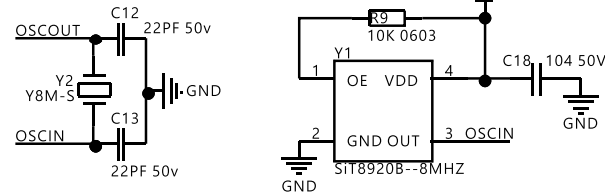


PRODUCT		VLZ WASH			
PIC. NO.		PCB1465-0-B SCHEME (3/5)			
EDIT		FILE NO.	HY-WIEC-1908	PAGE NO.	31/53
CHECK		VERSION	NR	DATE	2018.08.08
APPROVE		ECN NO.		DATE	

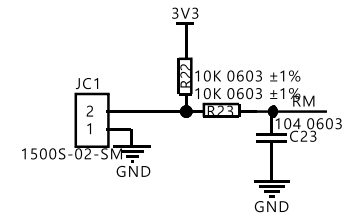
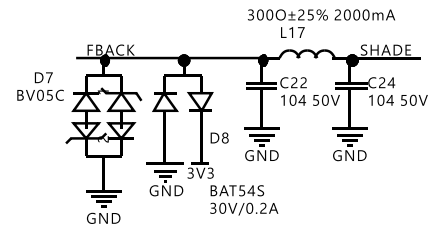
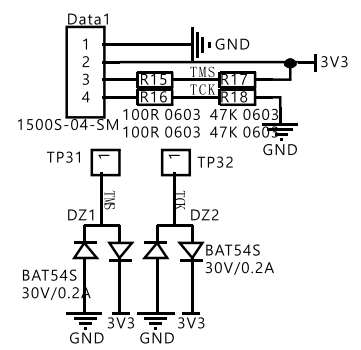
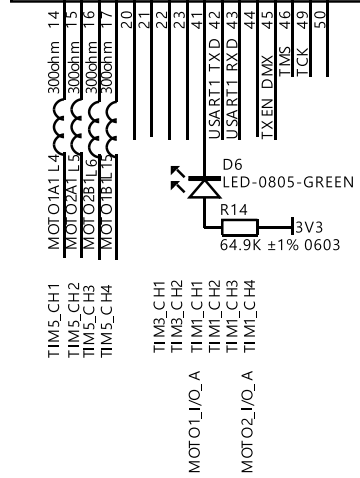
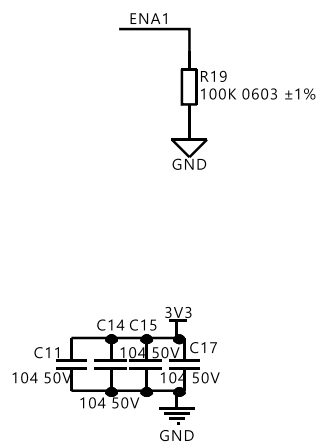
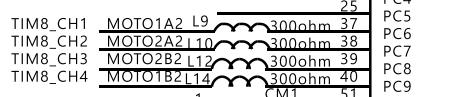
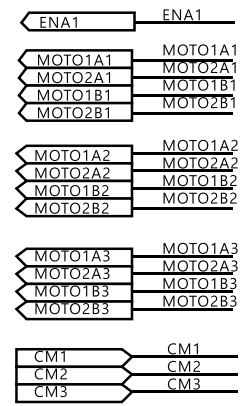
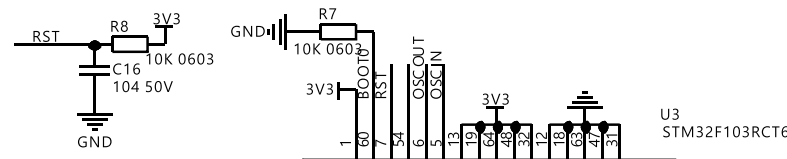
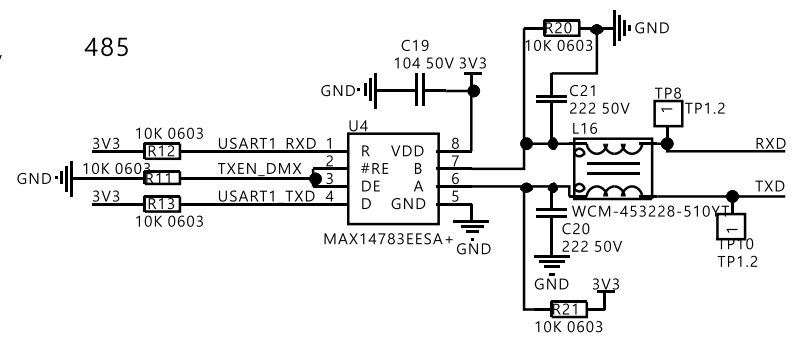


PRODUCT		VLZ WASH			
PIC. NO.		PCB1465-0-B SCHEME (4/5)			
EDIT		FILE NO.	HY-WIEC-1908	PAGE NO.	32/53
CHECK		VERSION	NR	DATE	2018.08.08
APPROVE		ECN NO.		DATE	

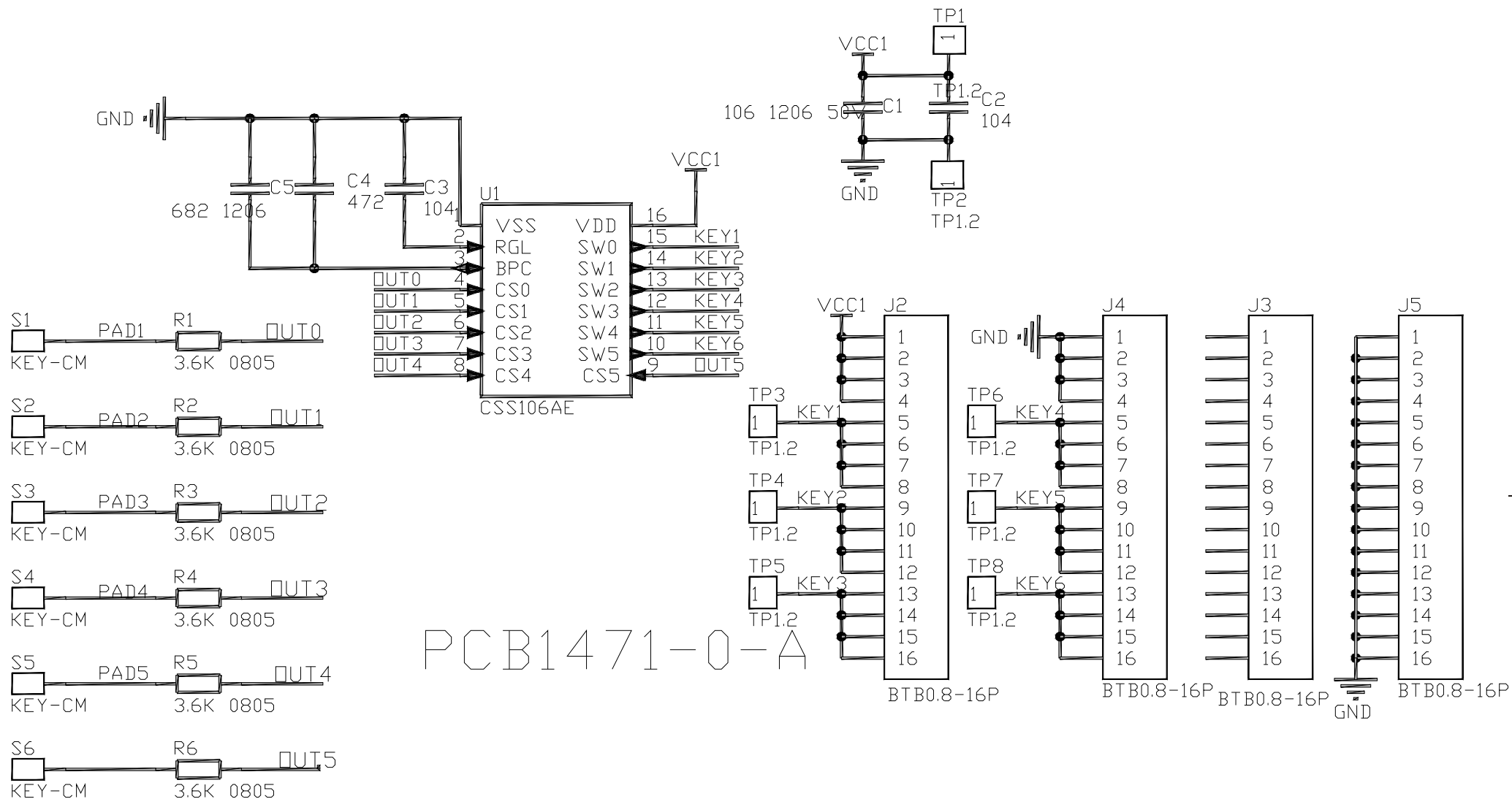
Y2,C27,C28



485



PRODUCT		VLZ WASH			
PIC. NO.		PCB1465-0-B SCHEME (5/5)			
EDIT		FILE NO.	HY-WIEC-1908	PAGE NO.	33/53
CHECK		VERSION	NR	DATE	2018.08.08
APPROVE		ECN NO.		DATE	

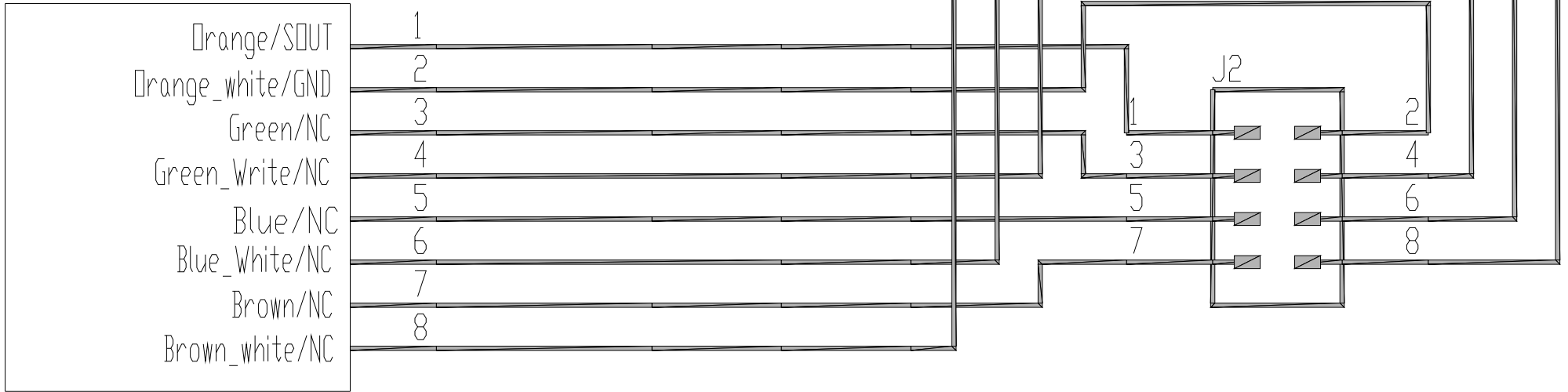


PCB1471-0-A

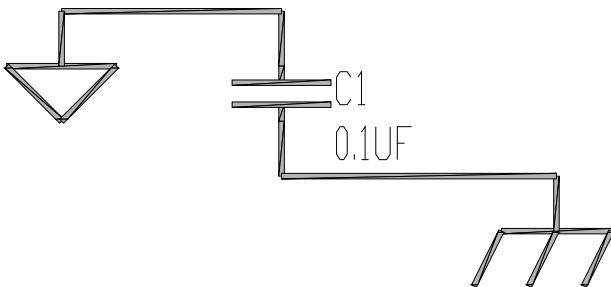
PRODUCT		VLZ WASH			
PIC. NO.		PCB1471-0-A SCHEME			
EDIT		FILE NO.	HY-WIEC-1743	PAGE NO.	34/53
CHECK		VERSION	NR	DATE	2018.08.08
APPROVE		ECN NO.		DATE	

J1
NET

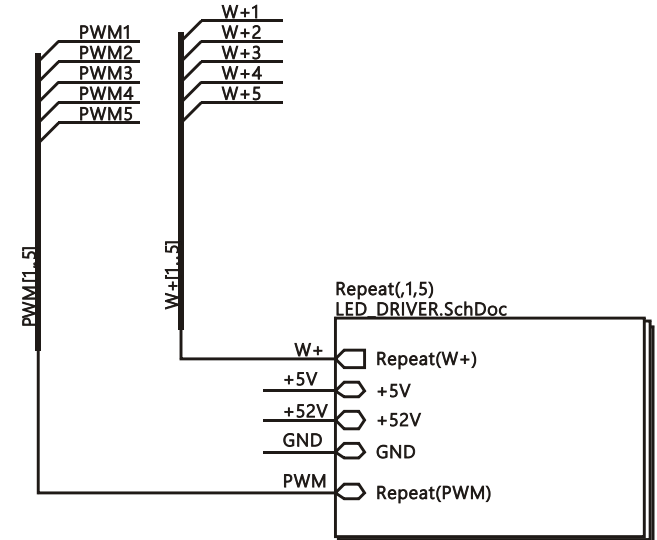
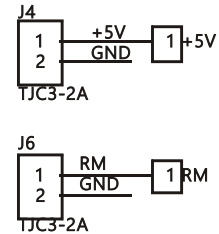
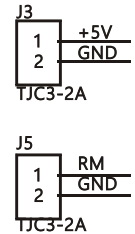
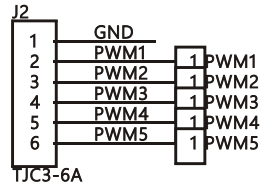
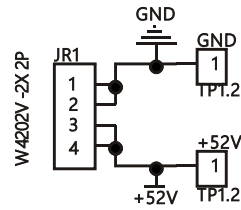
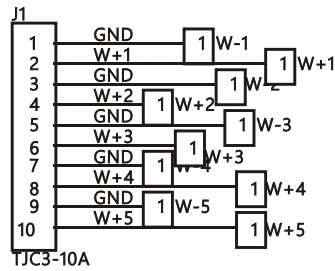
PCB0368B RJ45 NET



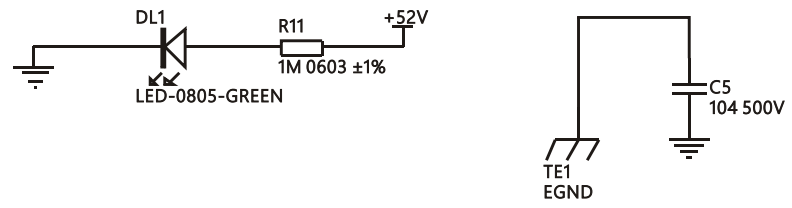
R1-R4 0R/0805



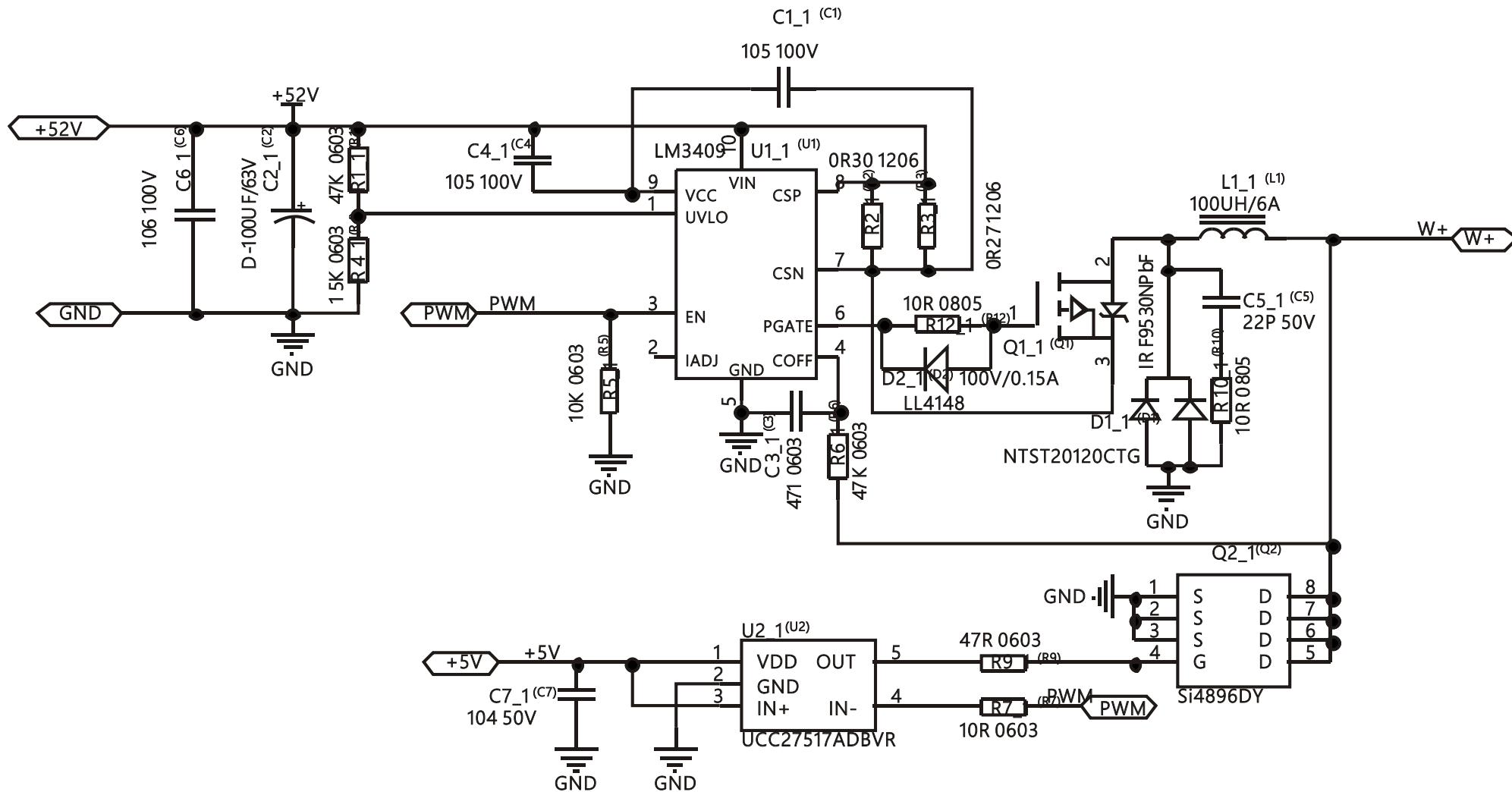
PRODUCT		VLZ WASH			
PIC. NO.		PCB0368B SCHEME			
EDIT		FILE NO.	HY-WIEC-0480	PAGE NO.	35/53
CHECK		VERSION	NR	DATE	2018. 08. 08
APPROVE		ECN NO.		DATE	



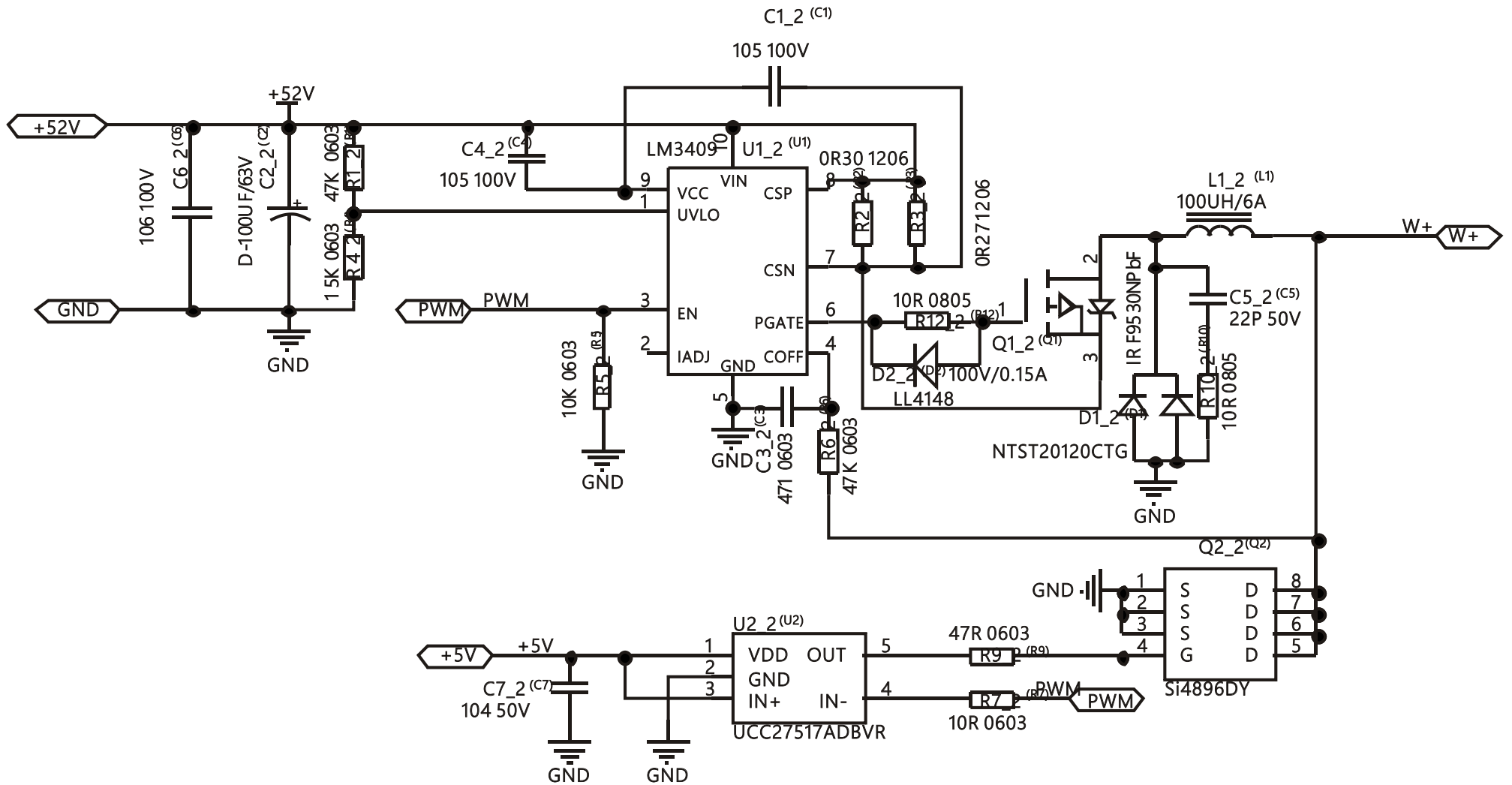
Circuit1	LED Array 5
Circuit2	LED Array 6
Circuit3	LED Array 7
Circuit4	LED Array 8
Circuit5	LED Array 9



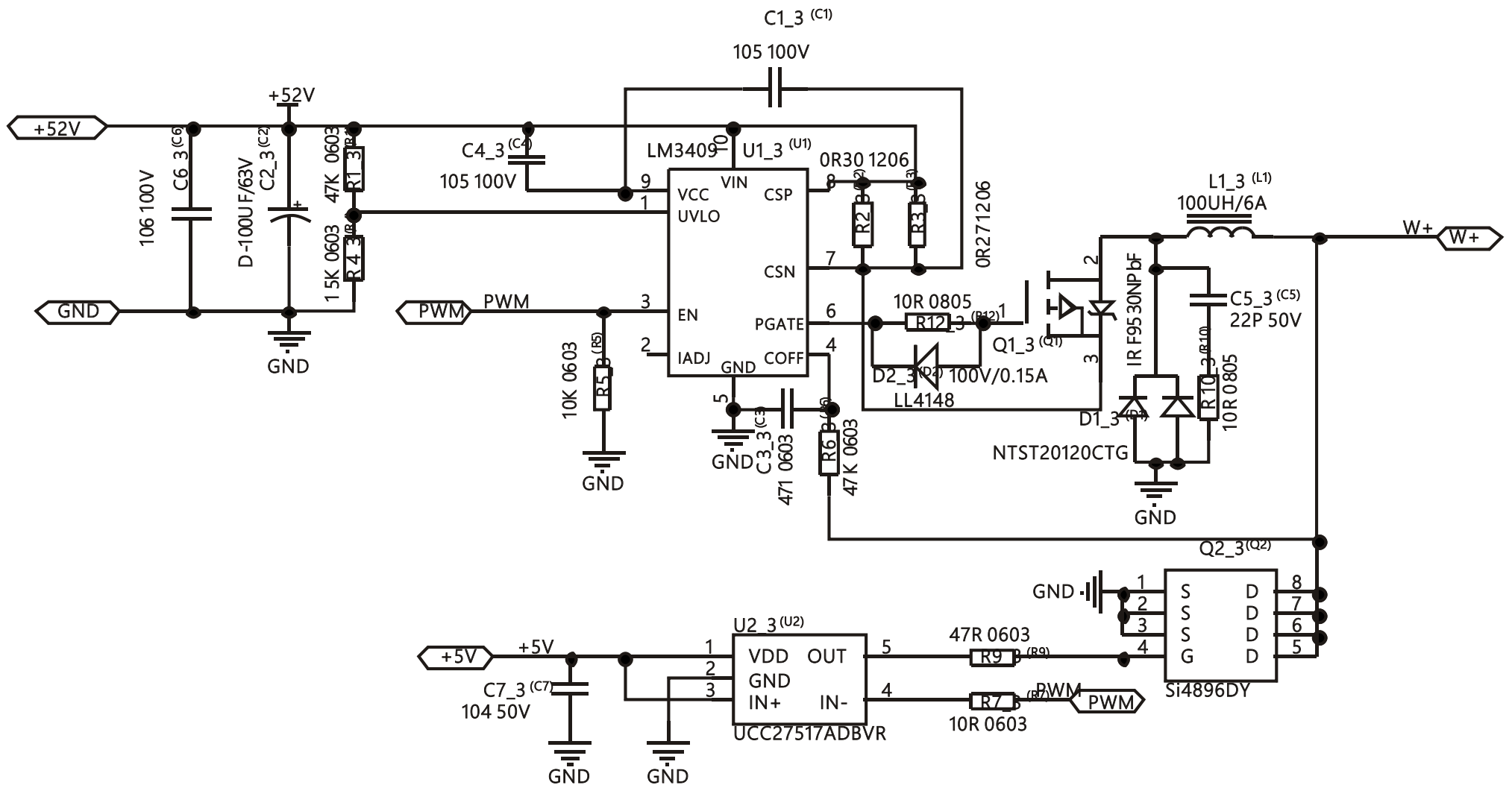
PRODUCT		VLZ WASH			
PIC. NO.		PCB1433-0-A SCHEME (1/6)			
EDIT		FILE NO.	HY-WIEC-1766	PAGE NO.	36/53
CHECK		VERSION	NR	DATE	2018.08.08
APPROVE		ECN NO.		DATE	



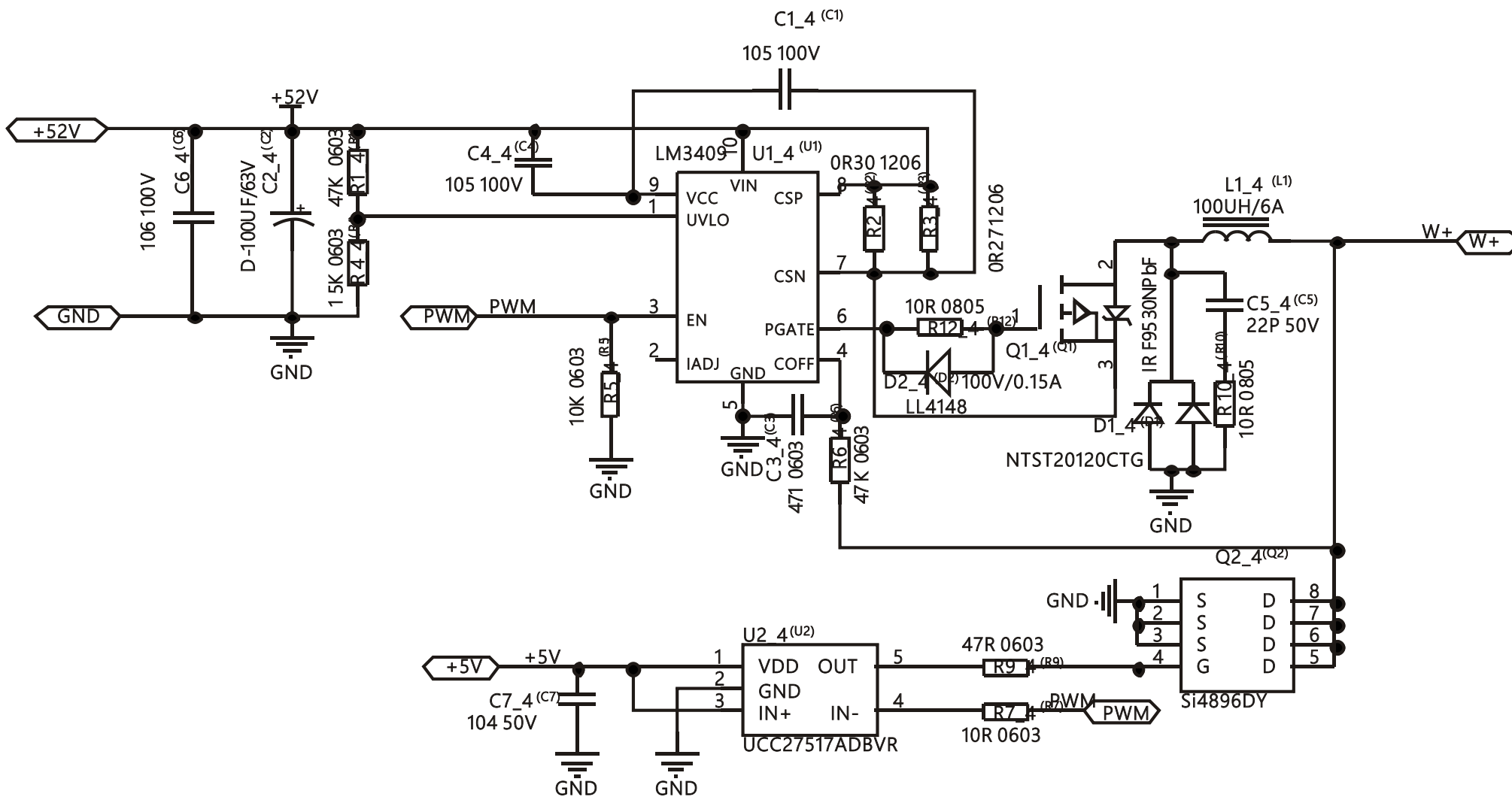
PRODUCT		VLZ WASH			
PIC. NO.		PCB1433-0-A SCHEME (2/6)			
EDIT		FILE NO.	HY-WIEC-1766	PAGE NO.	37/53
CHECK		VERSION	NR	DATE	2018.08.08
APPROVE		ECN NO.		DATE	



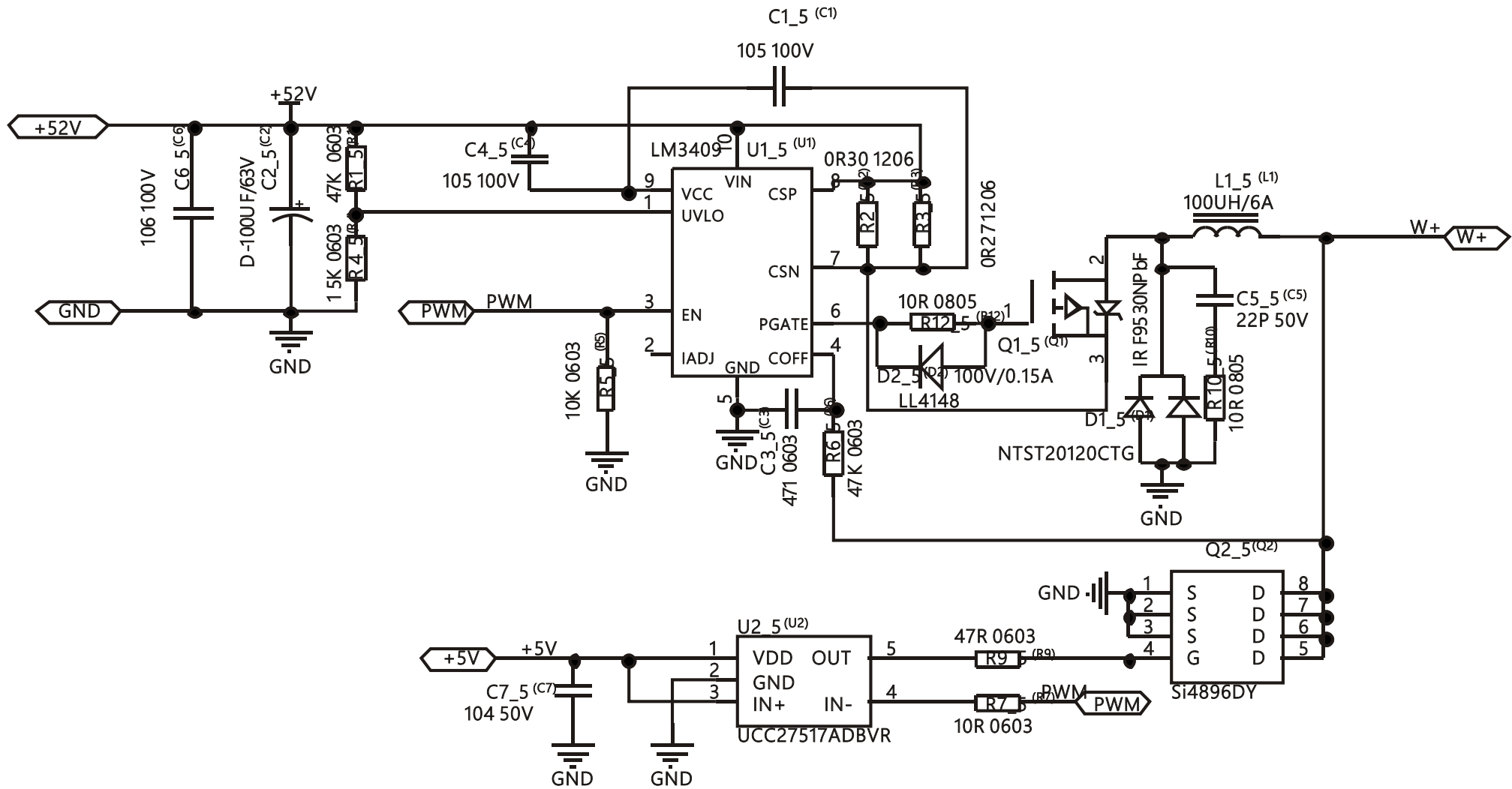
PRODUCT		VLZ WASH			
PIC. NO.		PCB1433-0-A SCHEME (3/6)			
EDIT		FILE NO.	HY-WIEC-1766	PAGE NO.	38/53
CHECK		VERSION	NR	DATE	2018.08.08
APPROVE		ECN NO.		DATE	



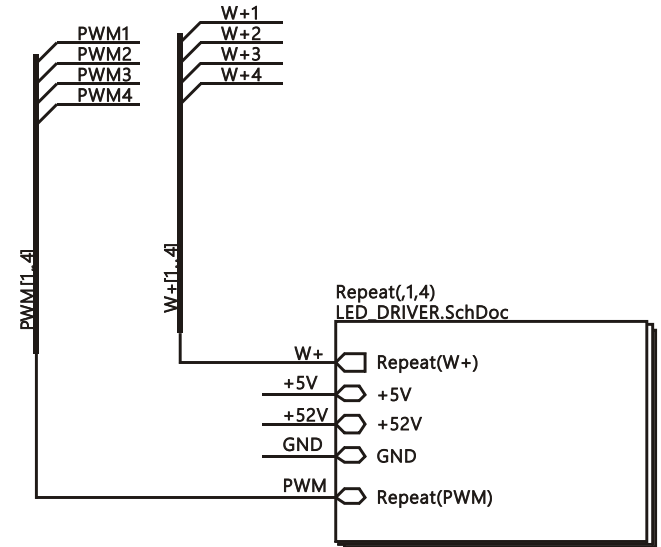
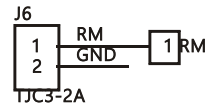
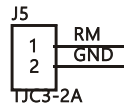
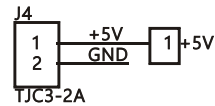
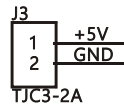
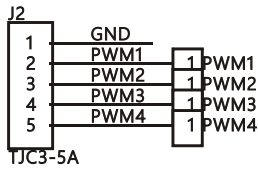
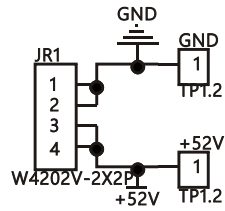
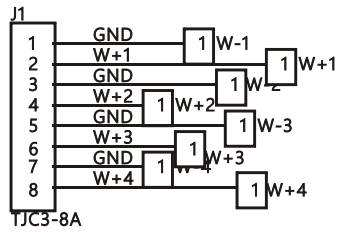
PRODUCT		VLZ WASH			
PIC. NO.		PCB1433-0-A SCHEME (4/6)			
EDIT		FILE NO.	HY-WIEC-1766	PAGE NO.	39/53
CHECK		VERSION	NR	DATE	2018.08.08
APPROVE		ECN NO.		DATE	



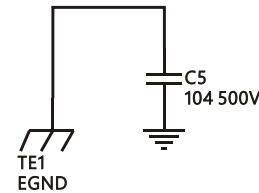
PRODUCT		VLZ WASH			
PIC. NO.		PCB1433-0-A SCHEME (5/6)			
EDIT		FILE NO.	HY-WIEC-1766	PAGE NO.	40/53
CHECK		VERSION	NR	DATE	2018.08.08
APPROVE		ECN NO.		DATE	



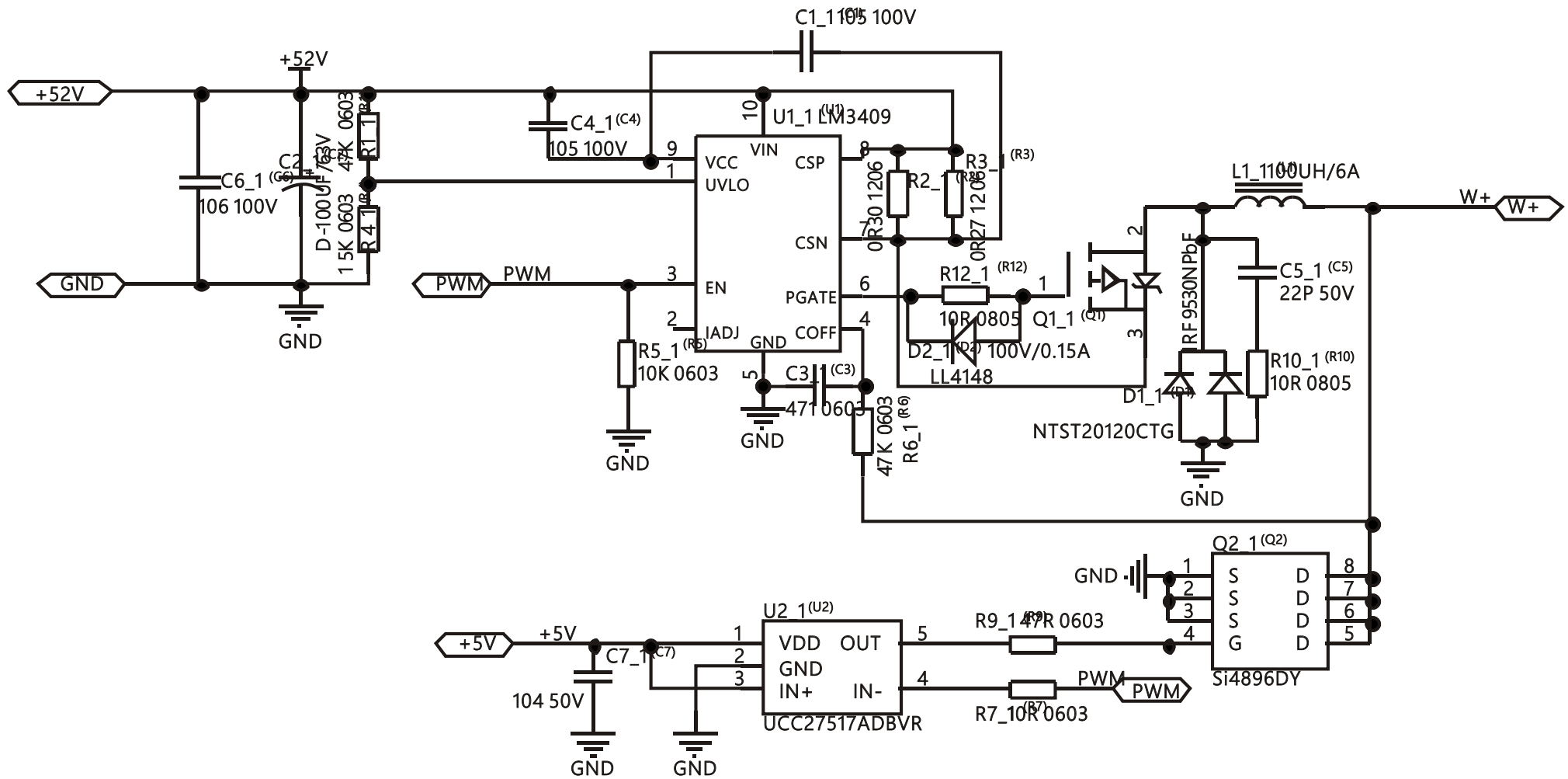
PRODUCT		VLZ WASH			
PIC. NO.		PCB1433-0-A SCHEME (6/6)			
EDIT		FILE NO.	HY-WIEC-1766	PAGE NO.	41/53
CHECK		VERSION	NR	DATE	2018.08.08
APPROVE		ECN NO.		DATE	



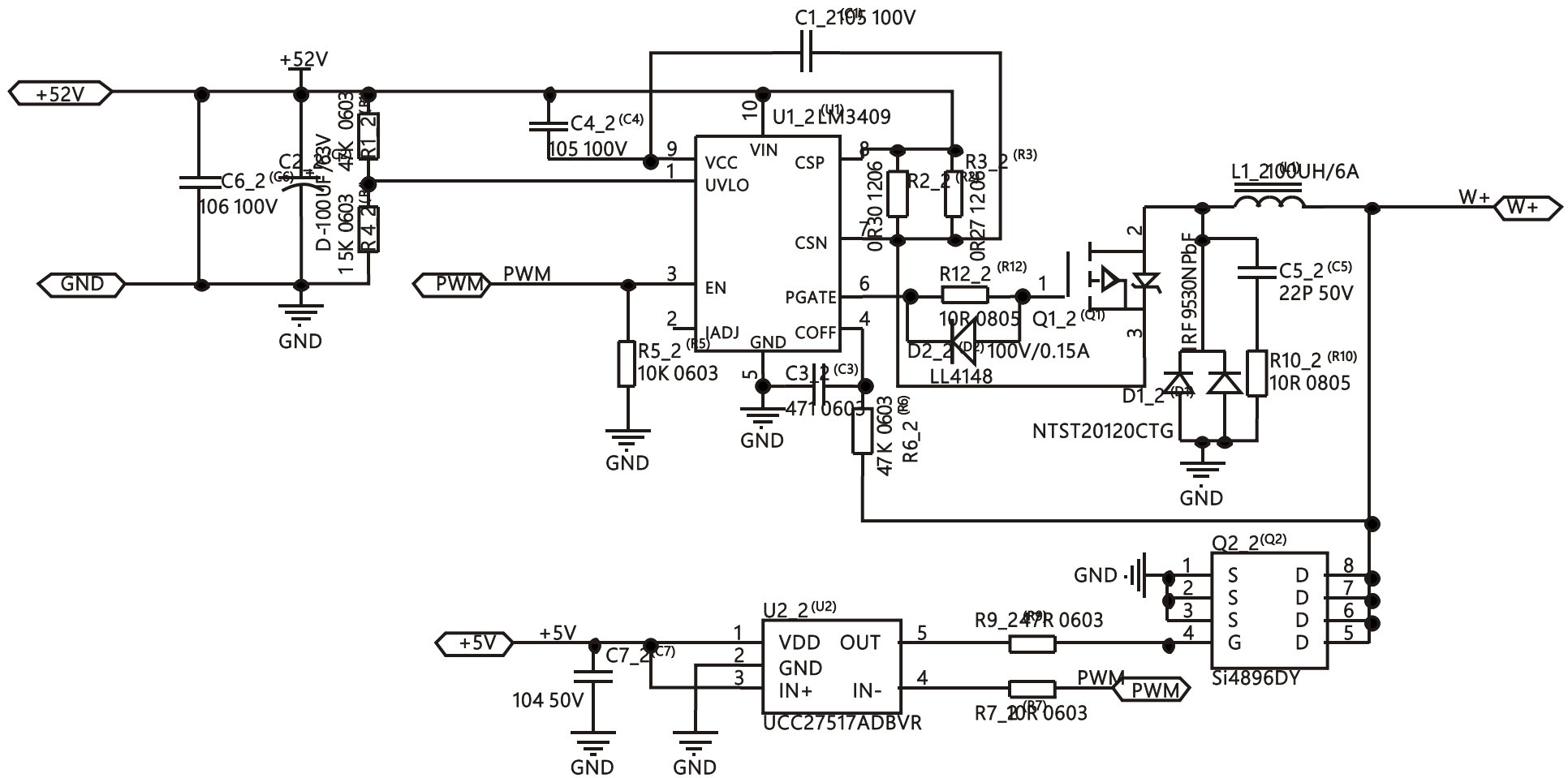
Circuit1	LED Array 1
Circuit2	LED Array 2
Circuit3	LED Array 3
Circuit4	LED Array 4



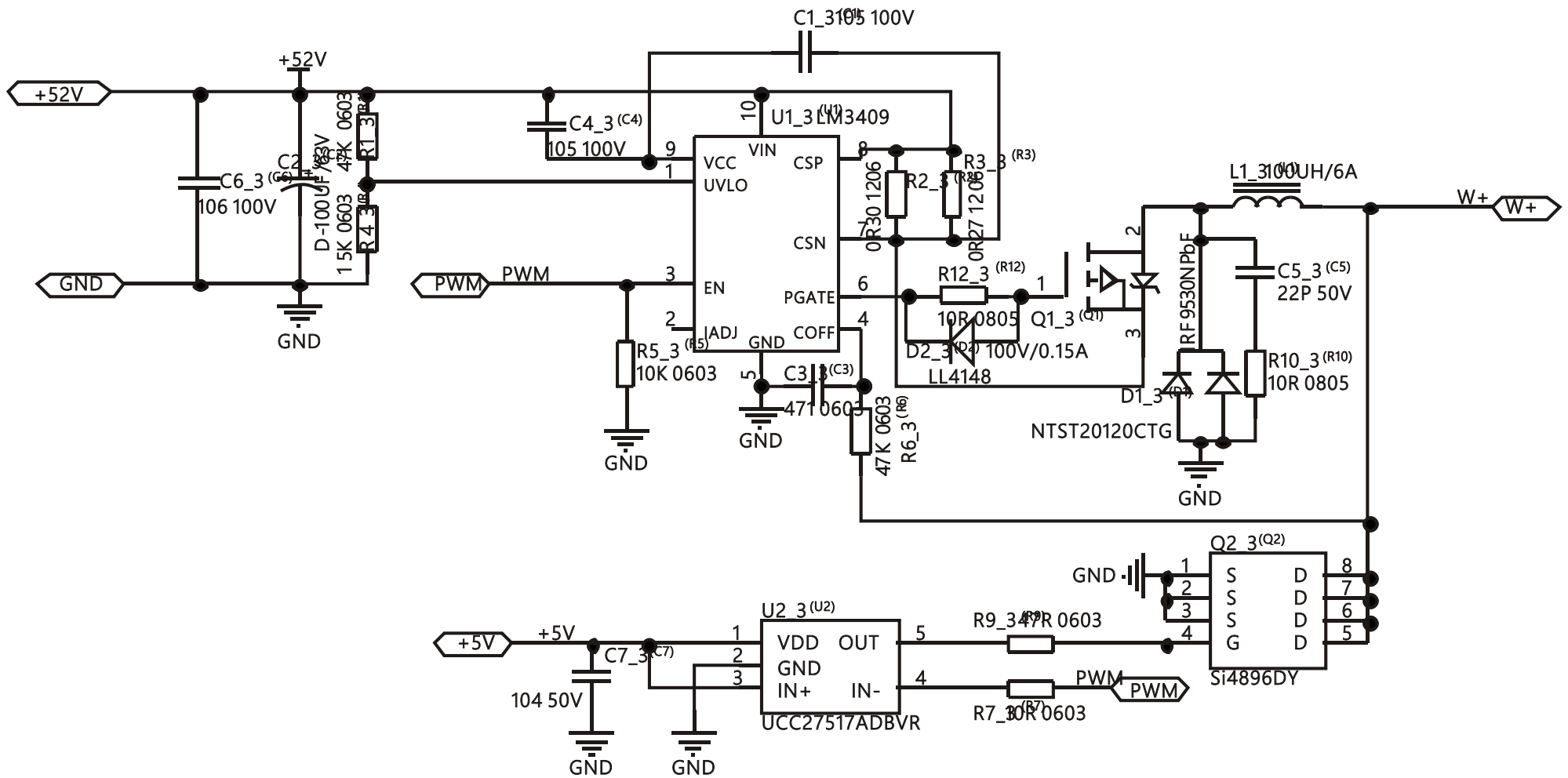
PRODUCT		VLZ WASH			
PIC. NO.		PCB1405-0-B SCHEME (1/5)			
EDIT		FILE NO.	HY-WIEC-1689	PAGE NO.	42/53
CHECK		VERSION	NR	DATE	2018.08.08
APPROVE		ECN NO.		DATE	



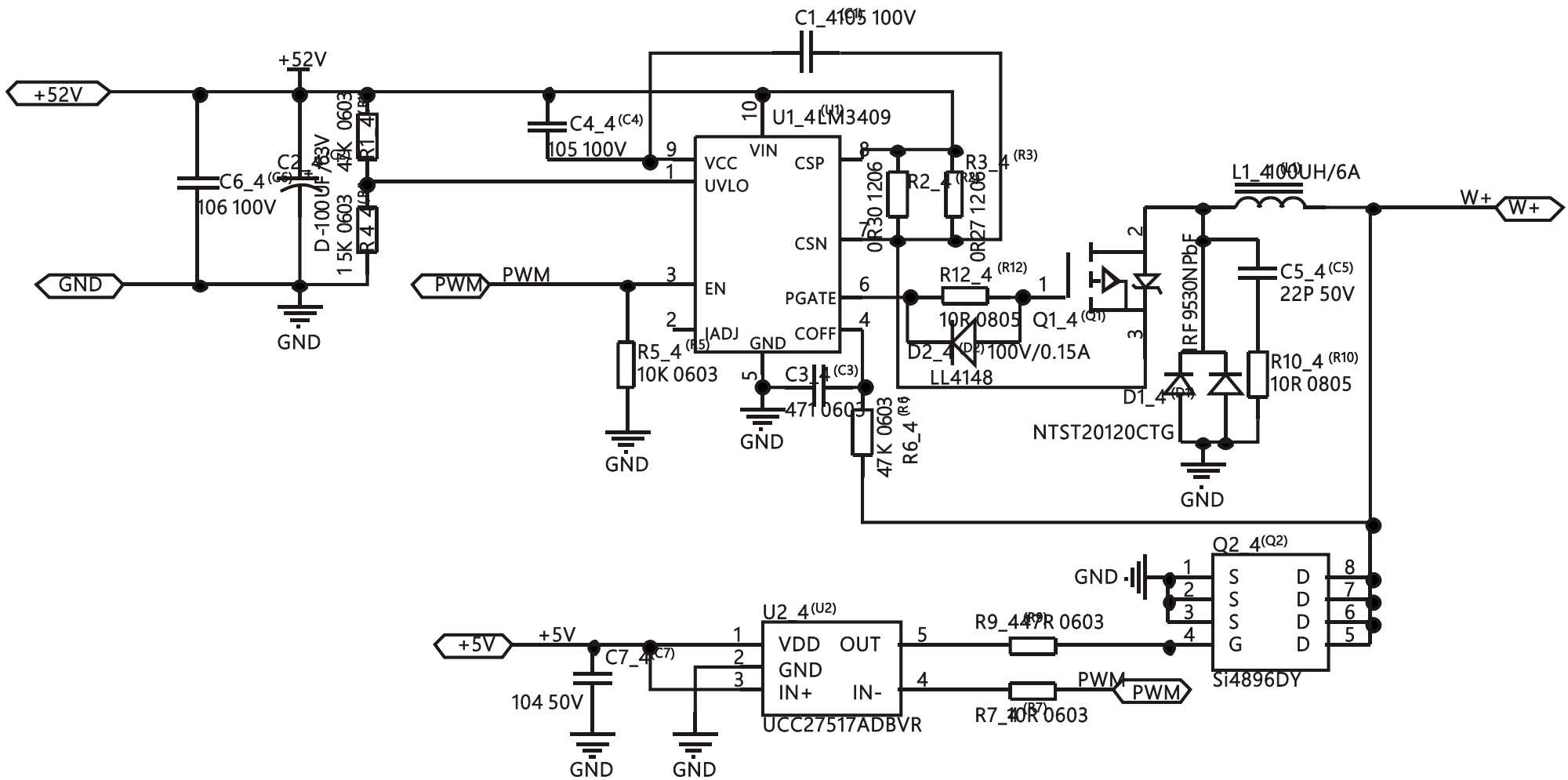
PRODUCT		VLZ WASH			
PIC. NO.		PCB1405-0-B SCHEME (2/5)			
EDIT		FILE NO.	HY-WIEC-1689	PAGE NO.	43/53
CHECK		VERSION	NR	DATE	2018.08.08
APPROVE		ECN NO.		DATE	



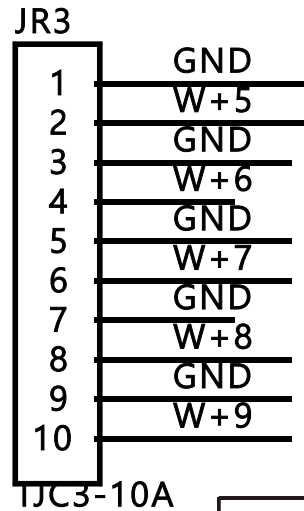
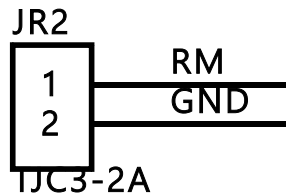
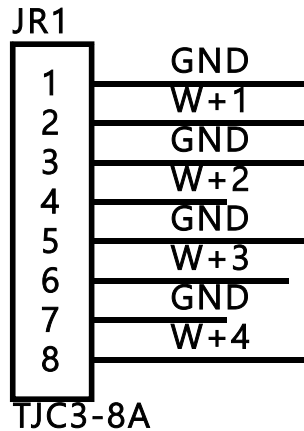
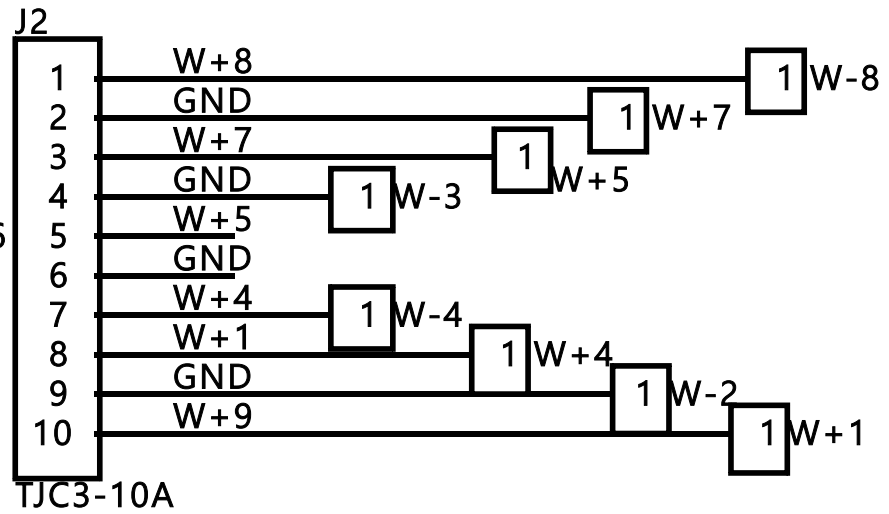
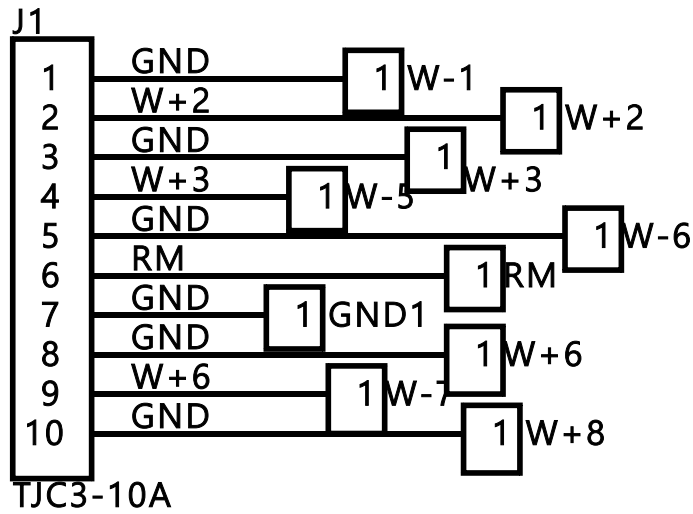
PRODUCT		VLZ WASH			
PIC. NO.		PCB1405-0-B SCHEME (3/5)			
EDIT		FILE NO.	HY-WIEC-1689	PAGE NO.	44/53
CHECK		VERSION	NR	DATE	2018.08.08
APPROVE		ECN NO.		DATE	



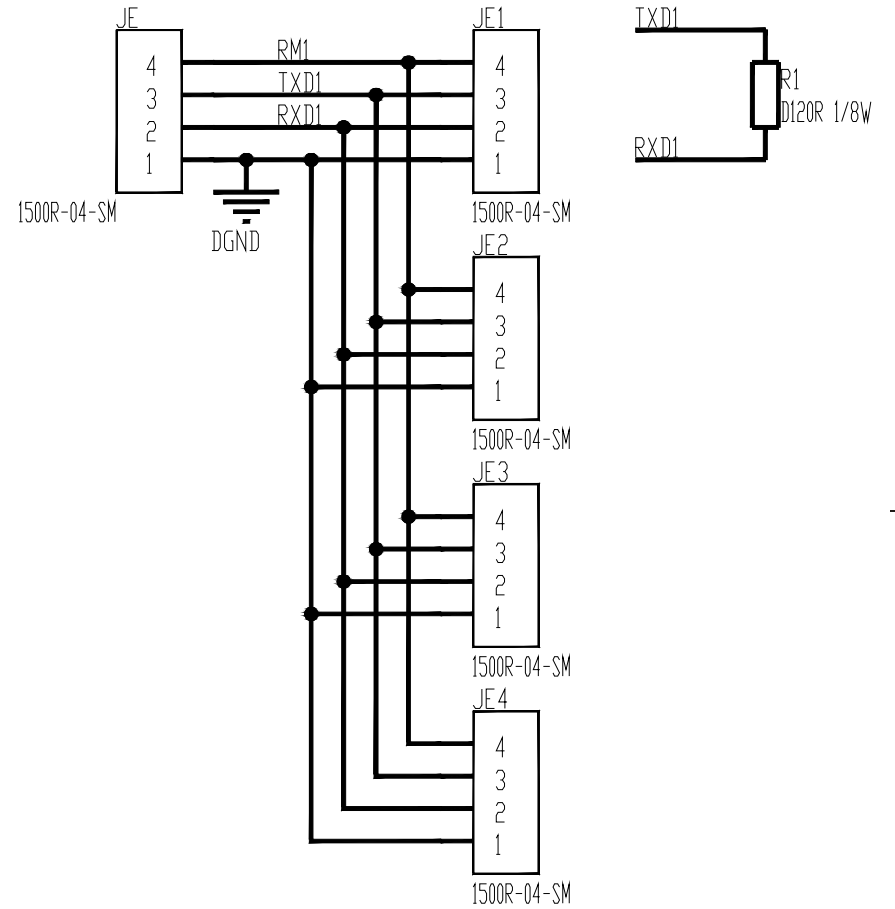
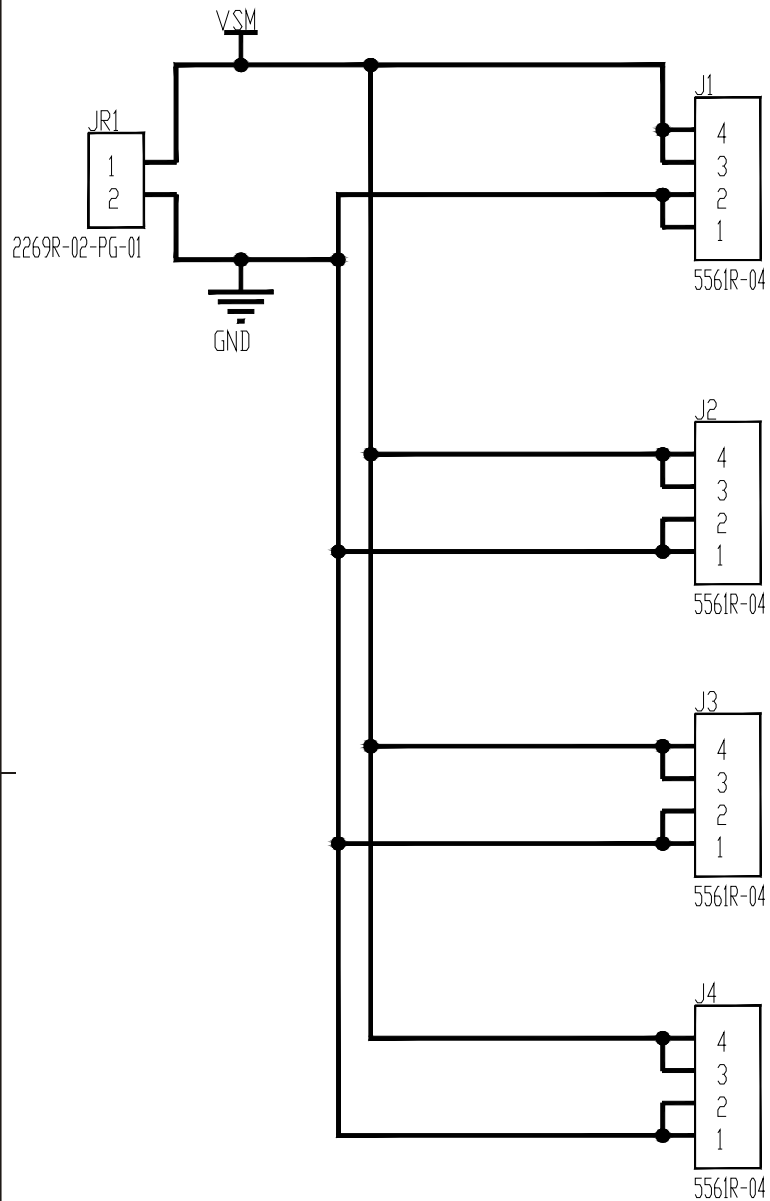
PRODUCT		VLZ WASH			
PIC. NO.		PCB1405-0-B SCHEME (4/5)			
EDIT		FILE NO.	HY-WIEC-1689	PAGE NO.	45/53
CHECK		VERSION	NR	DATE	2018.08.08
APPROVE		ECN NO.		DATE	



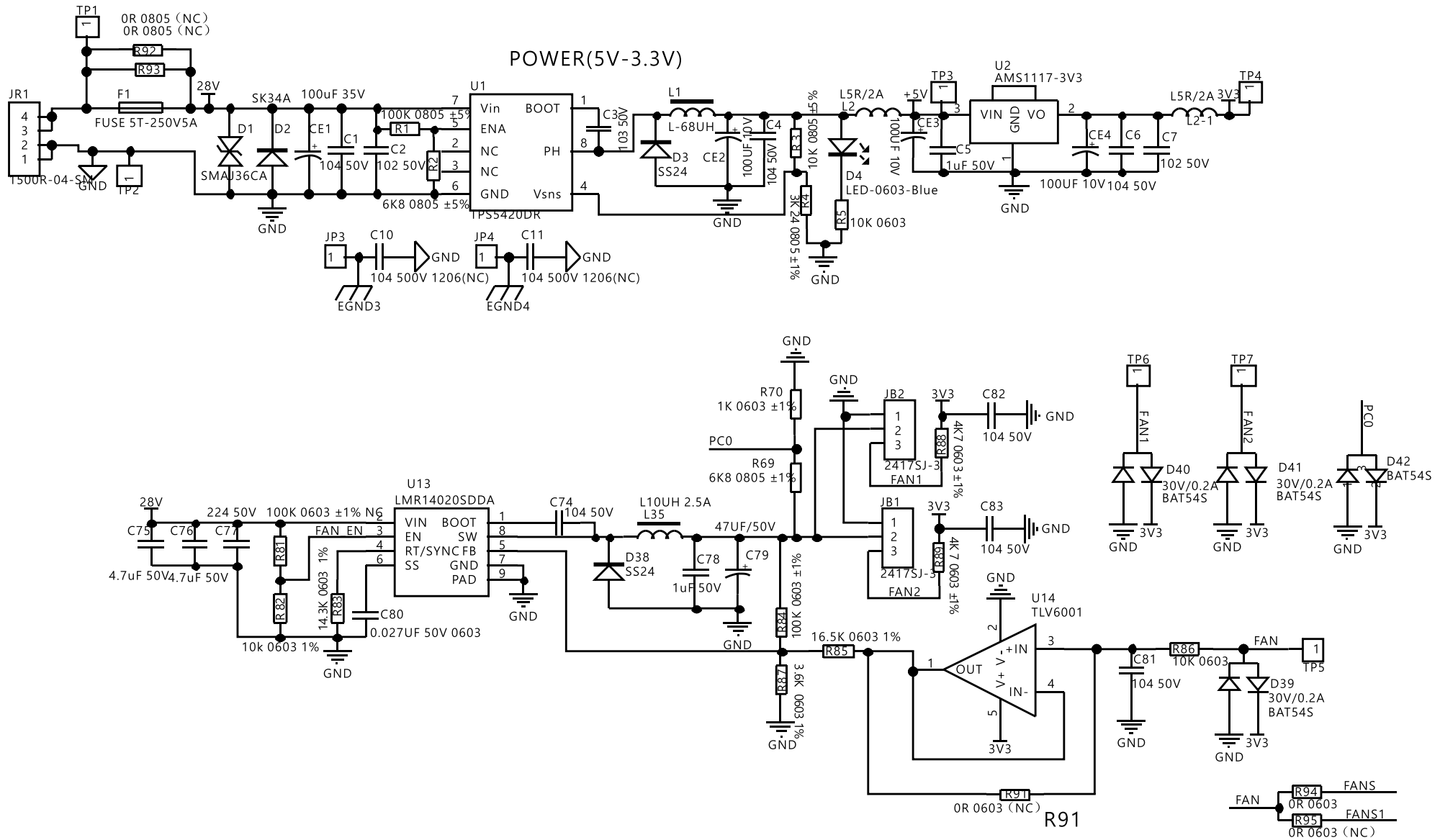
PRODUCT		VLZ WASH			
PIC. NO.		PCB1405-0-B SCHEME (5/5)			
EDIT		FILE NO.	HY-WIEC-1689	PAGE NO.	46/53
CHECK		VERSION	NR	DATE	2018.08.08
APPROVE		ECN NO.		DATE	



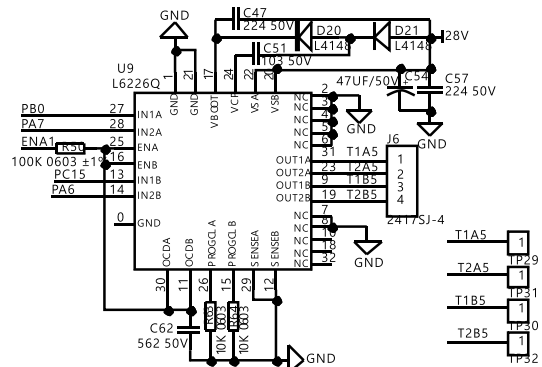
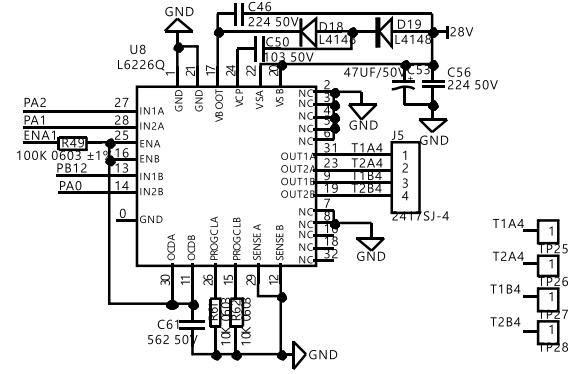
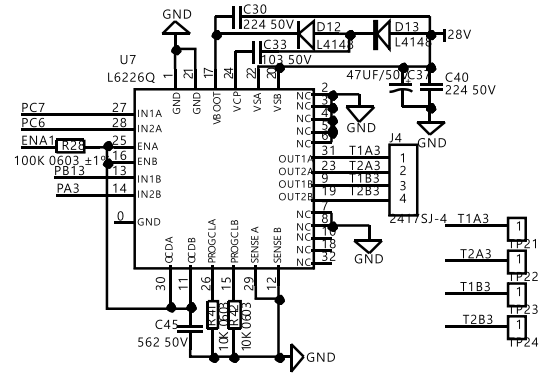
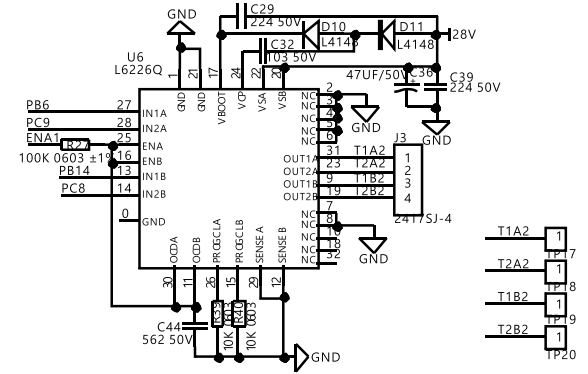
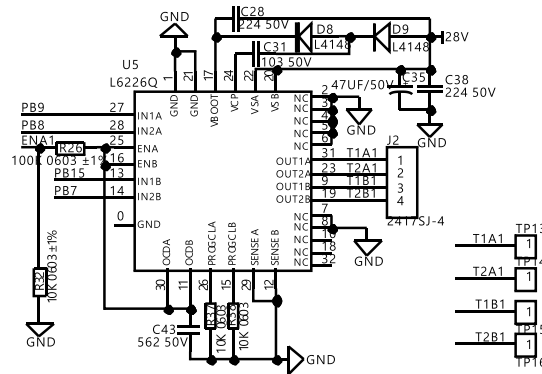
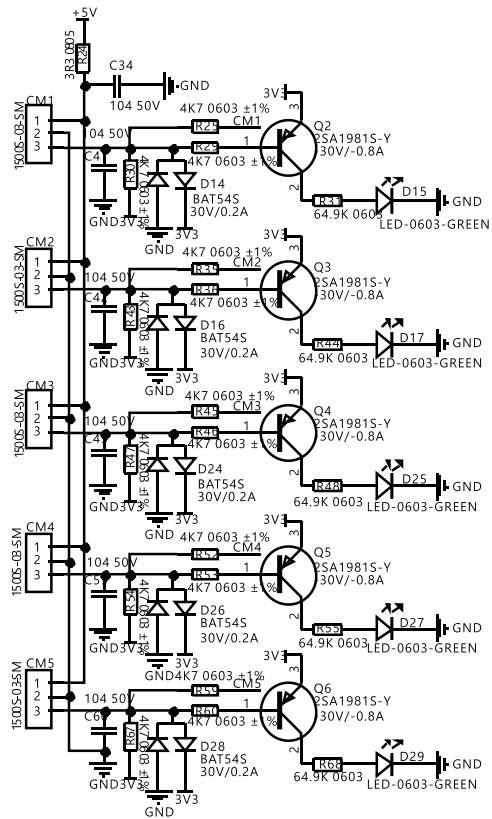
PRODUCT		VLZ WASH			
PIC. NO.		PCB1458-0-A SCHEME			
EDIT		FILE NO.	HY-WIEC-1755	PAGE NO.	47/53
CHECK		VERSION	NR	DATE	2018.08.08
APPROVE		ECN NO.		DATE	



PRODUCT		VLZ WASH			
PIC. NO.		PCB1111-0-A SCHEME			
EDIT		FILE NO.	HY-WIEC-1340	PAGE NO.	48/53
CHECK		VERSION	NR	DATE	2018. 08. 08
APPROVE		ECN NO.		DATE	



PRODUCT		VLZ WASH			
PIC. NO.		PCB1497-0-B SCHEME (1/4)			
EDIT		FILE NO.	HY-WIEC-1905	PAGE NO.	49/53
CHECK		VERSION	NR	DATE	2018.08.08
APPROVE		ECN NO.		DATE	

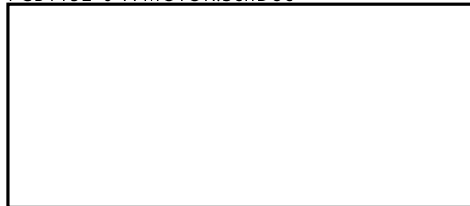


PRODUCT		VLZ WASH			
PIC. NO.		PCB1497-0-B SCHEME (2/4)			
EDIT		FILE NO.	HY-WIEC-1905	PAGE NO.	50/53
CHECK		VERSION	NR	DATE	2018.08.08
APPROVE		ECN NO.		DATE	

01
PCB1152-0-A CPU.SchDoc



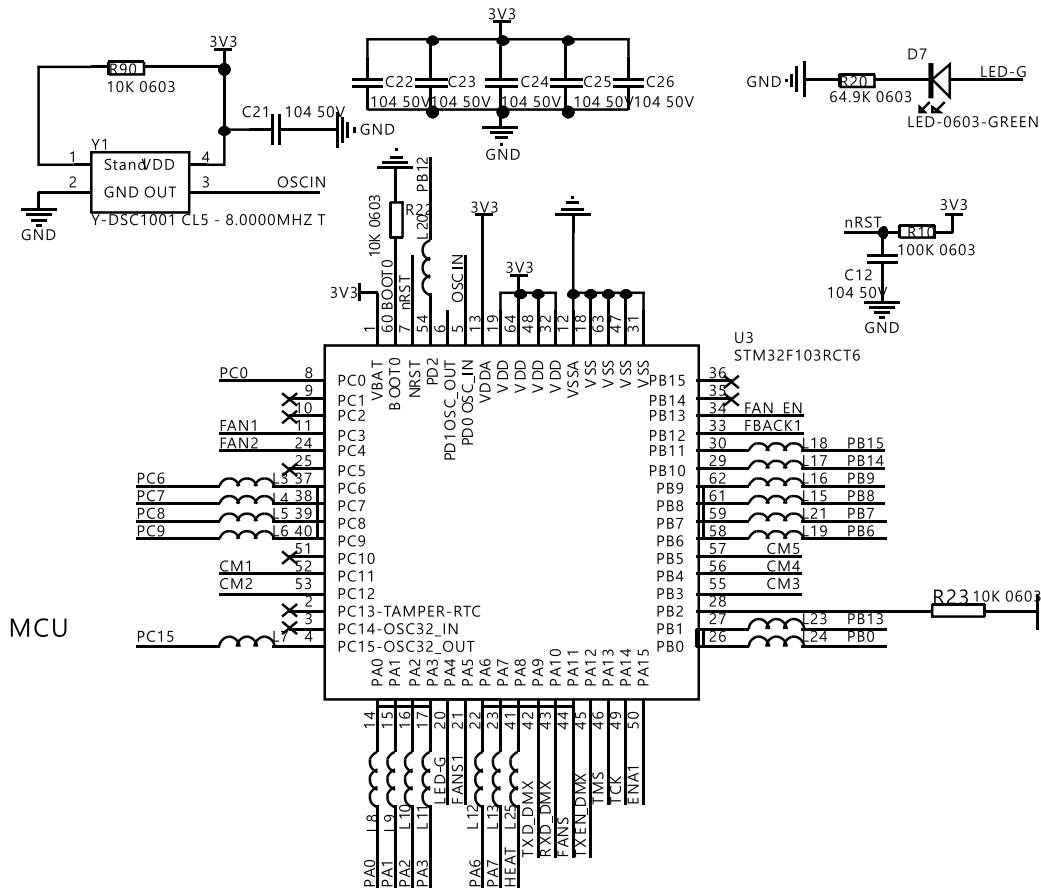
02
PCB1152-0-A MOTOR.SchDoc



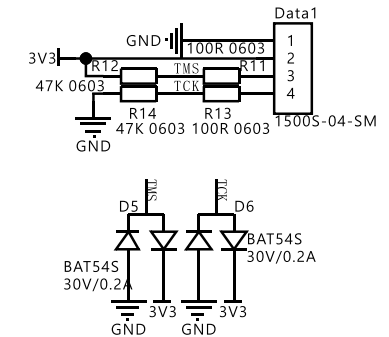
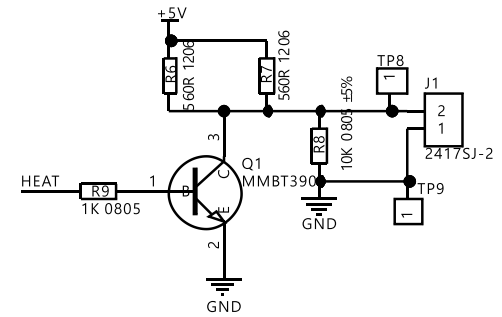
03
PCB1152-0-A POWER.SchDoc



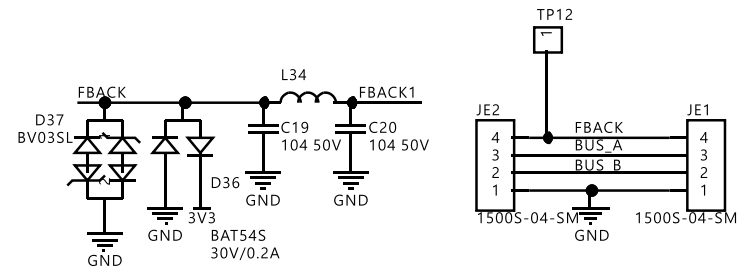
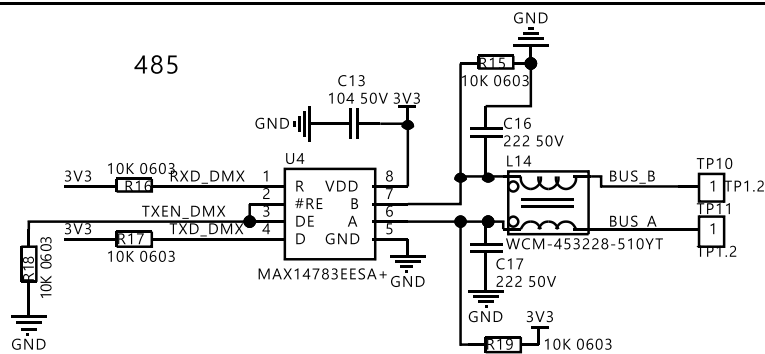
PRODUCT		VLZ WASH			
PIC. NO.		PCB1497-0-B SCHEME (3/4)			
EDIT		FILE NO.	HY-WIEC-1905	PAGE NO.	51/53
CHECK		VERSION	NR	DATE	2018.08.08
APPROVE		ECN NO.		DATE	



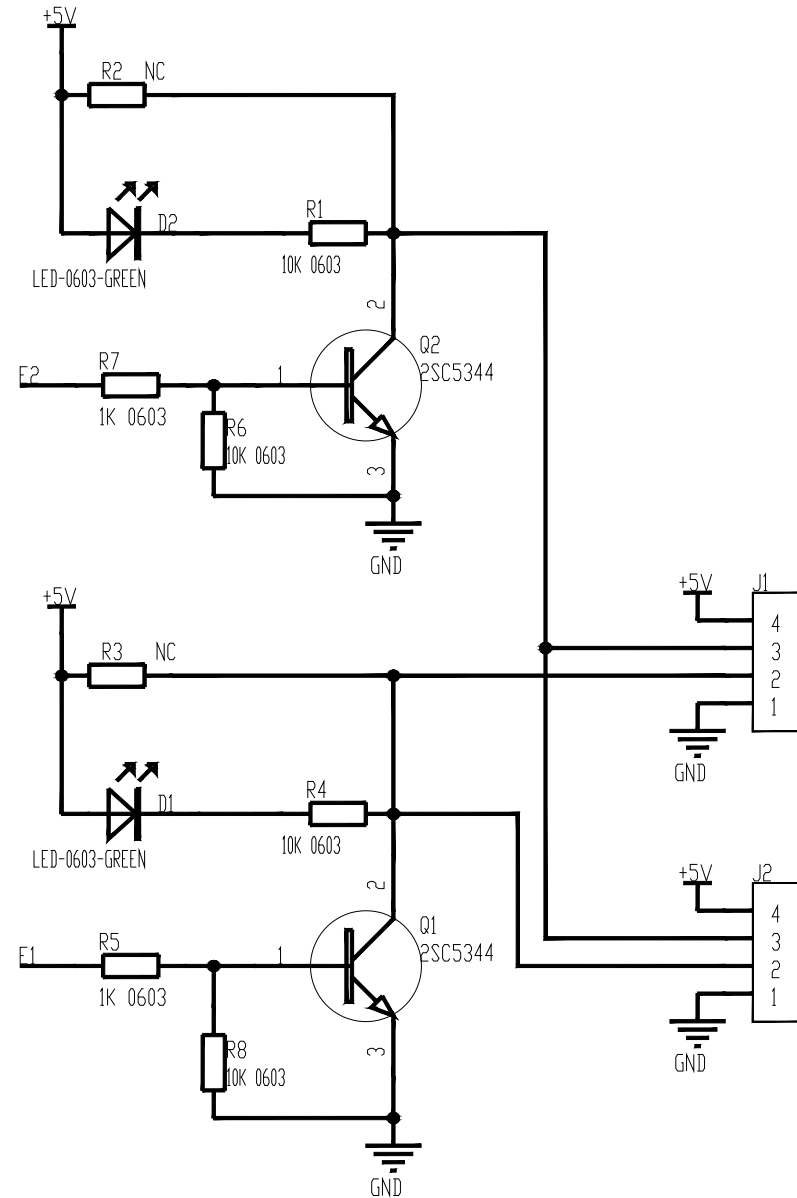
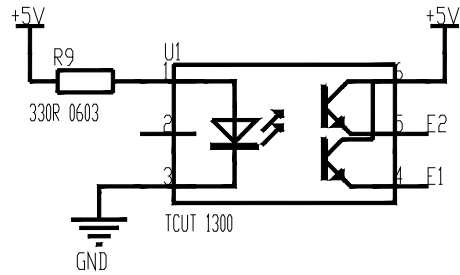
MCU



485



PRODUCT		VLZ WASH			
PIC. NO.		PCB1497-0-B SCHEME (4/4)			
EDIT		FILE NO.	HY-WIEC-1905	PAGE NO.	52/53
CHECK		VERSION	NR	DATE	2018.08.08
APPROVE		ECN NO.		DATE	



PRODUCT		VLZ WASH			
PIC. NO.		PCB1102-0-B SCHEME			
EDIT		FILE NO.	HY-WIEC-1354	PAGE NO.	53/53
CHECK		VERSION	NR	DATE	2018. 08. 08
APPROVE		ECN NO.		DATE	